

Smartphone/Tablet

Set product trend

- Higher performance of CPU/GPU
- Full HD resolution
- Slim/Lighter
- High precision LCD panel
- High sound quality (Hi-Fi)

Power circuit trend

- Increased load current
- MLCC squeaking measure

- (1) Power amplifier circuit
- (2) CPU/GPU core
- (3) Sound quality improvement

Capacitor required specifications

Large capacitance

Low profile

Downsizing

Features of recommended products

POSCAP

- Downsizing (3.5x2.8 mm)
- Low profile (1.1 mm -)

SP-Cap

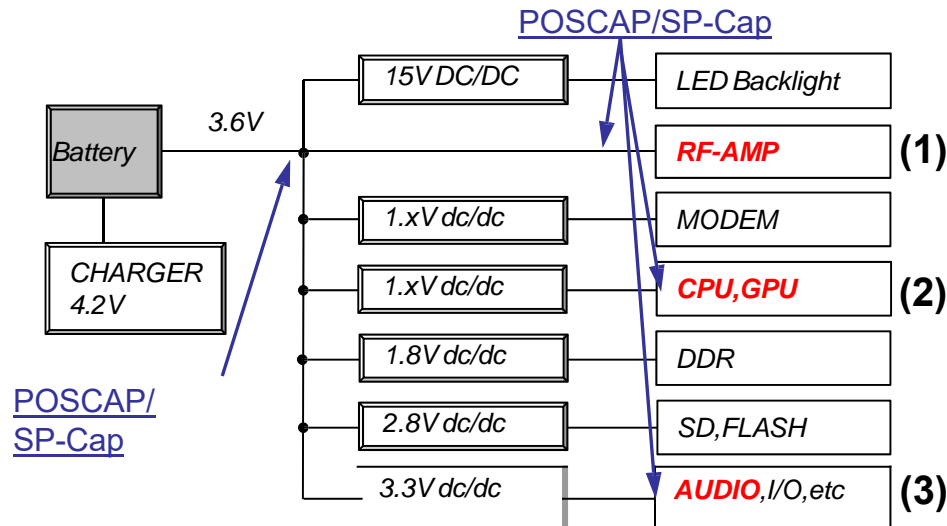
- Large capacitance
- Low profile (1.0 mm -)

Recommended circuit

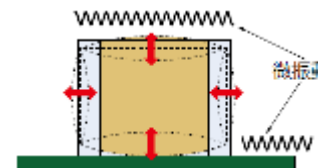
(1) Power Amp backup

(2) CPU/GPU

(3) Sound quality improvement



Squeaking prevention measures



Expansion and contraction of element by Piezo effect (Generation of microvibration)



No expansion and contraction of element by the Piezo effect

[MLCC]



[POSCAP/SP-Cap]

