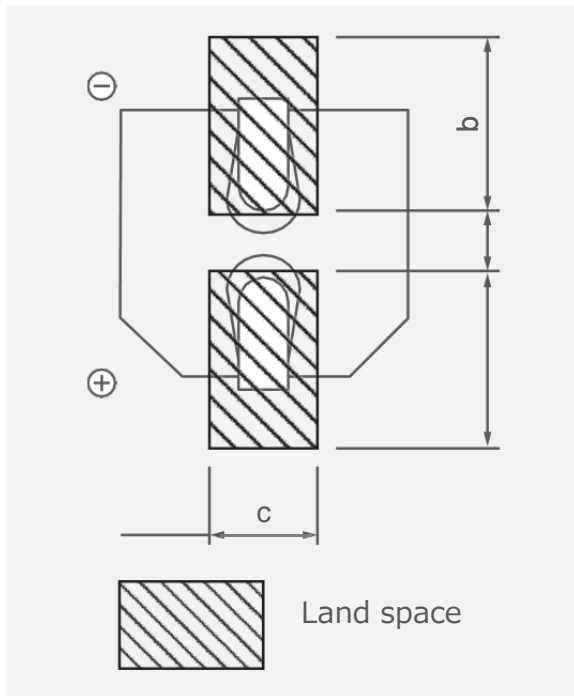


### Recommended land Pattern dimensions

The circuit board land/pad pattern size for chip capacitors is specified in the following table. The land pitch influences installation strength and consider it.

#### ■ Standard products



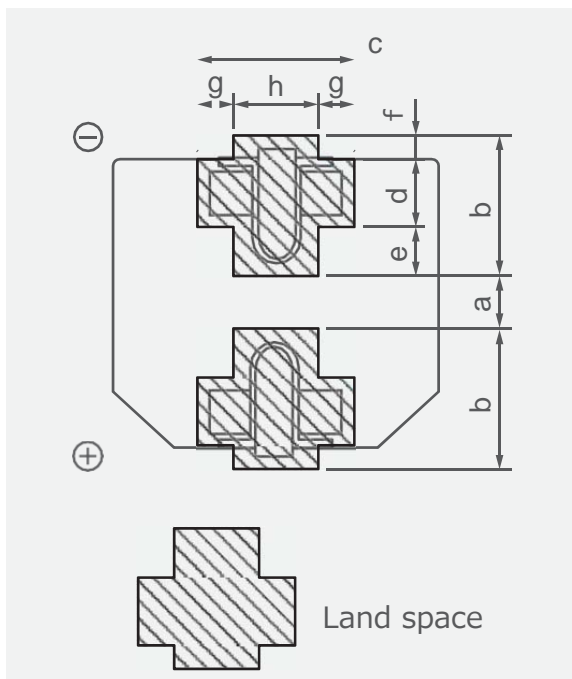
(Recommended board land size)

Unit: mm

Size Code	a	b	c
C	1.5	2.8	1.6
D, D8	1.8	3.2	1.6
F	3.1	4.0	2.0
G	4.6	4.1	2.0

When size "a" is wide, back fillet can be made, decreasing fitting strength.

#### ■ Vibration-proof products



(Recommended board land size)

Unit: mm

Size Code	a	b	c	d	e	f	g	h
D, D8	1.2	3.6	3.2	2.0	0.95	0.65	1.0	1.2
F	2.7	4.0	4.7	1.3	1.0	1.7	1.1	2.5
G	3.9	4.4	4.7	1.3	1.2	1.9	1.1	2.5

When size "a" is wide, back fillet can be made, decreasing fitting strength.

※ Take mounting conditions, solder ability and fitting strength into consideration when selecting parts for your company's design.