

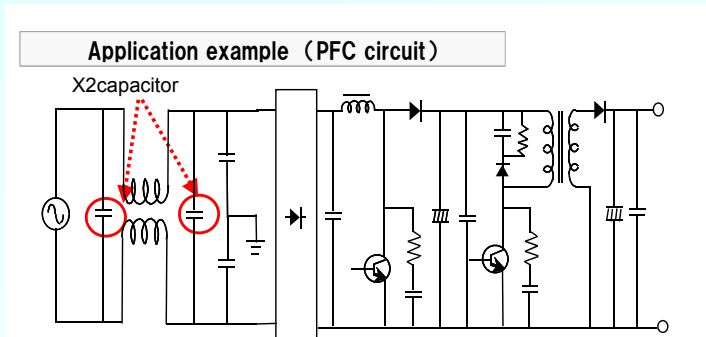
ECQUA AC275Vseries

Applications•Features

X2 capacitor

- ① High reliability
- ② High moisture resistant(85°C85%)
- ③ Low hum noise

Approval : c-UL, ENEC(VDE), CQC



Construction/Specifications (comparison data)

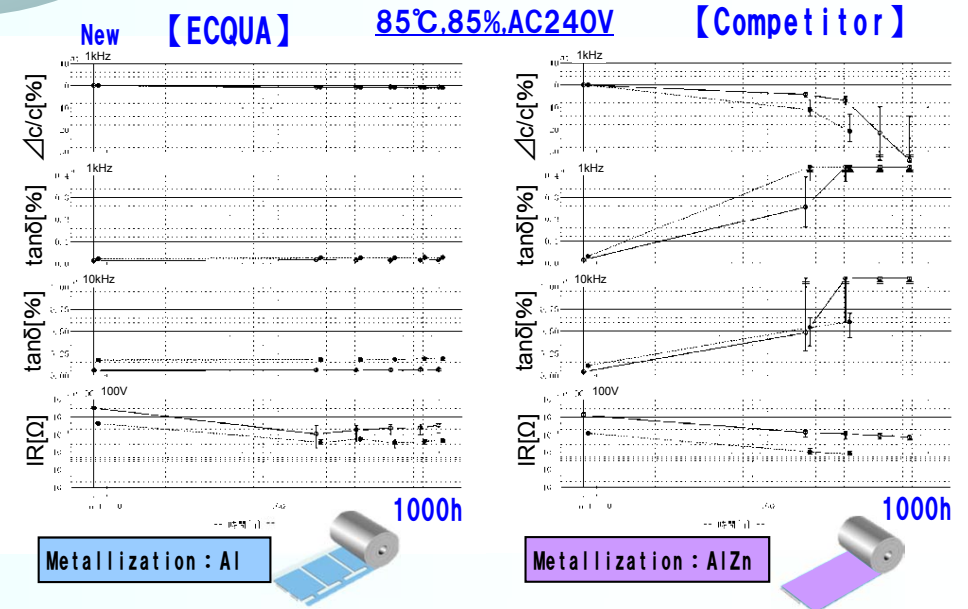
Contribution to the long life of the equipment installed in a high-humidity atmosphere (such as outdoor)

◆ Suitable for smart meters

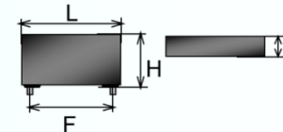
Item	Recommended ECQUA	Current product ECQUL	Competitor
Appearance			
Film/Metal	PP/Al/pattern	PET/Al/pattern	PP/AlZn
Voltage	275VAC	275VAC(UL250VAC)	310VAC(UL250VAC)
Cap.range	104~475	102~335	104~225
Temp.range	-40°C~+110°C	-40°C~+100°C	-55°C~+110°C
Break down mode	Open	Open	Short
Moisture resistant	85°C,85%,AC240V 1000h (155-475: 500h)	40°C,95%,250VAC 500h	40°C,95%,620VDC 1000h
Hum noise	474 ave:75dB	474 ave:66dB	474 ave:81dB
Approval	c-UL,ENEC(VDE)	UL,CSA,VDE	UL,c-UL,ENEC

Moisture resistance test

High reliability and moisture resistant are compatible with Al metallized pattern film.



Dimensions



Type	Recommended ECQUA				ECQUL			
	c-UL, ENEC(VDE), CQC				UL, CSA, VDE			
Approval	L±0.5	T±0.5	H±0.5	F±0.4	L±0.5	T±0.5	H±0.5	F±0.4
104	17.5	5.0	12.0	15.0	17.5	5.5	12.0	15.0
154	17.5	6.0	13.0	15.0	17.5	6.5	14.5	15.0
224	17.5	7.5	14.0	15.0	17.5	8.0	16.0	15.0
334	17.5	9.0	16.0	15.0	17.5	9.5	17.5	15.0
474	26.0	8.5	15.0	22.5	25.5	8.5	17.5	22.5
684	26.0	10.0	17.0	22.5	25.5	10.5	19.5	22.5
105	26.0	12.0	19.0	22.5	25.5	12.0	22.0	22.5
155	31.0	12.0	22.0	27.5	30.5	16.5	26.0	27.5
225	31.0	14.5	24.5	27.5	30.5	19.0	29.5	27.5
335	31.0	19.0	29.0	27.5	-	-	-	-
475	31.0	23.0	33.0	27.5	-	-	-	-

New