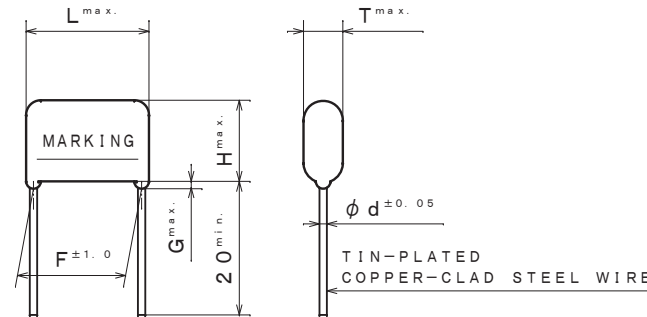


ITEM CODE	RATED VOLTAGE	CAP. (μ F)	DIMENSIONS							MARKING STYLE
			L	T	H	F	G	d		
ECQE1A103 () B	125VAC	0.01	7.9	4.2	7.1	5.0	1.0	0.5	1	
" 1A123 () B	"	0.012	"	"	"	"	"	"	"	
" 1A153 () B	"	0.015	"	"	"	"	"	"	"	
" 1A183 () B	"	0.018	"	4.3	7.2	"	"	"	"	
" 1A223 () B	"	0.022	"	"	"	"	"	"	"	
" 1A273 () B	"	0.027	"	"	"	"	"	"	"	
" 1A333 () B	"	0.033	"	"	"	"	"	"	"	
" 1A393 () B	"	0.039	"	4.5	7.4	"	"	"	"	
" 1A473 () B	"	0.047	"	4.8	7.7	"	"	"	"	
" 1A563 () B	"	0.056	"	5.1	8.0	"	"	"	"	
" 1A683 () B	"	0.068	"	5.4	8.6	"	"	"	"	
" 1A823 () B	"	0.082	10.3	4.6	7.6	7.5	"	"	"	
" 1A104 () B	"	0.1	"	5.1	7.7	"	"	"	"	
" 1A124 () B	"	0.12	"	5.3	8.4	"	"	"	"	
" 1A154 () B	"	0.15	"	5.7	8.9	"	"	"	"	
" 1A184 () B	"	0.18	"	5.6	10.3	"	"	"	"	
" 1A224 () B	"	0.22	"	6.1	11.0	"	"	"	"	
" 1A274 () B	"	0.27	12.3	5.4	10.7	10.0	"	0.6	"	
" 1A334 () B	"	0.33	"	5.9	11.2	"	"	"	"	
" 1A394 () B	"	0.39	"	6.4	11.6	"	"	"	"	
" 1A474 () B	"	0.47	"	7.0	12.2	"	"	"	"	
" 1A564 () B	"	0.56	"	6.7	11.9	"	"	"	"	
" 1A684 () B	"	0.68	"	7.3	12.7	"	"	"	"	
" 1A824 () B	"	0.82	15.3	6.3	13.3	12.5	"	"	2	
" 1A105 () B	"	1.0	"	7.0	14.0	"	"	"	"	
" 1A125 () B	"	1.2	20.8	7.1	14.1	17.5	"	0.8	"	
" 1A155 () B	"	1.5	"	8.0	15.1	"	"	"	"	
" 1A185 () B	"	1.8	"	8.7	15.9	"	"	"	"	
" 1A225 () B	"	2.2	"	9.7	17.1	"	"	"	"	
" 1A275 () B	"	2.7	"	10.9	18.2	"	"	"	"	
" 1A335 () B	"	3.3	25.8	9.6	18.7	22.5	"	"	"	
" 1A395 () B	"	3.9	"	10.6	19.7	"	"	"	"	
" 1A475 () B	"	4.7	"	11.8	20.8	"	"	"	"	

TOL. SYMBOL (J or K or M)

ALTERATION		
ISSUE	DESCRIPTION	DATE
△	Company name changed	Oct. 1 2004
△	Company name changed	Apr. 1 2005
△	Company name changed	Apr. 1 2006
△	Company name changed	Apr. 1 2008
△	Change: category temperature range (-40°C~+85°C--40°C~+105°C)	Dec. 13 2010
△	Company name changed	Apr. 1 2012
△	Company name changed	Apr. 1 2013
△	Company name changed	Apr. 1 2015
△	Company name changed	Apr. 1 2022

SPECIFICATIONS No.



CONSTRUCTION

The capacitor is of non-inductive construction, wound with metallized polyester film dielectric.

The capacitor is enclosed in non-combustible epoxy resin and has two leads.

MARKING

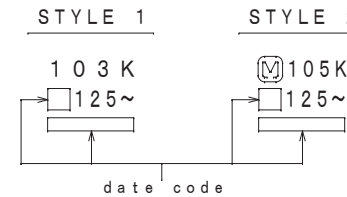
Marking comprises capacitance, capacitance tolerance, rated voltage, manufacturer's trademark (STYLE 2 only) and date code.

PROPERTIES

- *Capacitance : See table at 1kHz
- *Capacitance tolerance : ±5% (J), ±10% (K), ±20% (M) at 1kHz
- *Rated voltage : 125VAC
- *Withstand voltage (terminal-terminal) : 125VACx230% for 60s
- (terminal-enclosure) : 1500VAC for 60s
- *Insulation resistance : ≥2000MΩ (C≤0.47μF) at 500VDC, 20°C for 60s
- : ≥3000MΩ·μF (C>0.47μF) at 100VDC, 20°C for 60s
- *Dissipation factor : ≤1.0% at 1kHz, 20°C
- *Category temperature range : △ From -40°C to +105°C (including temperature rise on unit surface)

DO NOT SCALE DRAWING REVISIONS INDICATED BY △ ALL DIMENSIONS ARE IN MILLIMETERS

MARKING EXAMPLE



DESIGN	M. MEKADA
CHECKED	POSITIONA
APPROVAL	T. KATO
ESTABLISHMENT	Jun. 16. 2000
TYPE NAME	ECQE1A*** () B
NAME	Metallized Polyester Film Capacitor
DRAWING NAME	PRODUCT DRAWING
DRAWING No.	CT-H-B38E (1/1)

Film Capacitor Business Unit
Device Solutions Business Division
Panasonic Industry Co., Ltd.