

ITEM CODE	RATED VOLTAGE	CAP. (μ F)	DIMENSIONS					MARKING STYLE	FORMING TYPE
			L	T	H	S	d		
ECQE1A823 () BB	125VAC	0.082	10.3	4.6	7.6	7.5	0.5	1	D
" 1A104 () BB	"	0.1	"	5.1	7.7	"	"	"	"
" 1A124 () BB	"	0.12	"	5.3	8.4	"	"	"	"
" 1A154 () BB	"	0.15	"	5.7	8.9	"	"	"	"
" 1A184 () BB	"	0.18	"	5.6	10.3	"	"	"	"
" 1A224 () BB	"	0.22	"	6.1	11.0	"	"	"	"
" 1A274 () BB	"	0.27	12.3	5.4	10.7	"	0.6	"	"
" 1A334 () BB	"	0.33	"	5.9	11.2	"	"	"	"
" 1A394 () BB	"	0.39	"	6.4	11.6	"	"	"	"
" 1A474 () BB	"	0.47	"	7.0	12.2	"	"	"	"
" 1A564 () BB	"	0.56	"	6.7	11.9	"	"	"	"
" 1A684 () BB	"	0.68	"	7.3	12.7	"	"	"	"
" 1A824 () BB	"	0.82	15.3	6.3	13.3	"	"	2	B
" 1A105 () BB	"	1.0	"	7.0	14.0	"	"	"	"
" 1A125 () BB	"	1.2	20.8	7.1	14.1	10.0	0.8	"	"
" 1A155 () BB	"	1.5	"	8.0	15.1	"	"	"	"
" 1A185 () BB	"	1.8	"	8.7	15.9	"	"	"	"
" 1A225 () BB	"	2.2	"	9.7	17.1	"	"	"	"
" 1A275 () BB	"	2.7	"	10.9	18.2	"	"	"	"
" 1A335 () BB	"	3.3	25.8	9.6	18.7	15.0	"	"	"
" 1A395 () BB	"	3.9	"	10.6	19.7	"	"	"	"
" 1A475 () BB	"	4.7	"	11.8	20.8	"	"	"	"

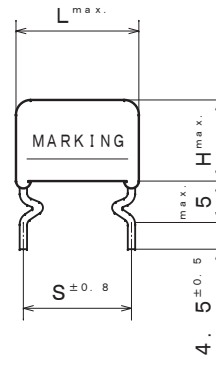
TOL. SYMBOL (J, K or M)

ALTERATION

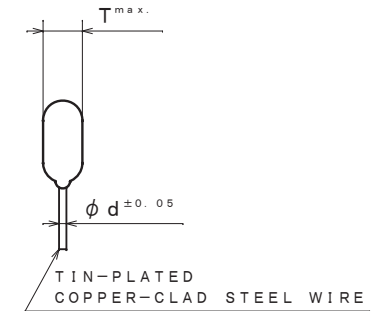
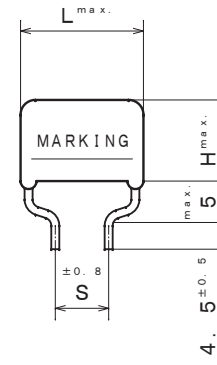
ISSUE	DESCRIPTION	DATE
△1	Company name changed	Oct. 1 2004
△2	Company name changed	Apr. 1 2005
△3	Company name changed	Apr. 1 2006
△4	Company name changed	Apr. 1 2008
△5	Change: category temperature range (-40°C~+85°C--40°C~+105°C)	Dec. 13 2010
△6	Company name changed	Apr. 1 2012
△7	Company name changed	Apr. 1 2013
△8	Company name changed	Apr. 1 2015
△9	Company name changed	Apr. 1 2022

SPECIFICATIONS No.

TYPE D



TYPE B



CONSTRUCTION

The capacitor is of non-inductive construction, wound with metallized polyester film dielectric.
The capacitor is enclosed in non-combustible epoxy resin and has two leads.

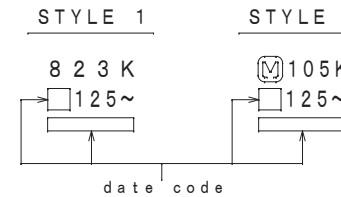
MARKING

Marking comprises capacitance, capacitance tolerance, rated voltage, manufacturer's trademark (STYLE 2 only) and date code.

PROPERTIES

Capacitance : See table at 1kHz
 Capacitance tolerance : ±5% (J), ±10% (K), ±20% (M) at 1kHz
 Rated voltage : 125VAC
 Withstand voltage (terminal-terminal) : 125VAC×230% for 60s
 (terminal-enclosure) : 1500VAC for 60s
 Insulation resistance : ≥2000MΩ (C≤0.47μF) at 500VDC, 20°C for 60s
 : ≥3000MΩ·μF (C>0.47μF) at 100VDC, 20°C for 60s
 Dissipation factor : ≤1.0% at 1kHz, 20°C
 Category temperature range : △ From -40°C to +105°C (including temperature rise on unit surface)

MARKING EXAMPLE



DESIGN	M. MEKADA
CHECK	T. KATO
APPROVAL	T. KATO
ESTABLISHMENT	May 16, 2001
TYPE NAME	
ECQE1A*** () BB	
NAME Metallized Polyester Film Capacitor	
DRAWING NAME	
PRODUCT DRAWING	
DRAWING No.	
1049M-J-E (1/1)	

Film Capacitor Business Unit
 Device Solutions Business Division
 Panasonic Industry Co., Ltd.