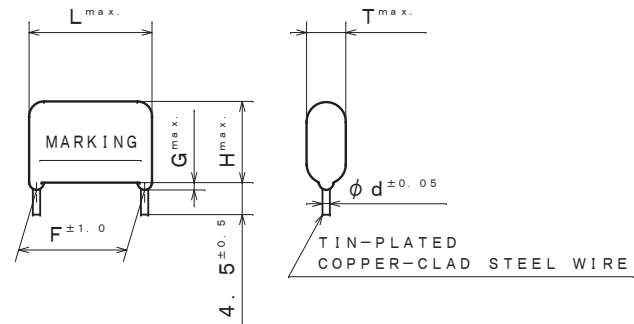


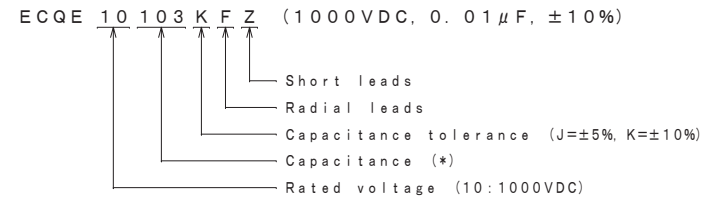
ITEM CODE	CAP. μF (*)	DIMENSIONS						
		L	T	H	F	G	d	
ECQE10103 () FZ	0.01 (103)	15.5	6.0	11.0	12.5	1.0	0.6	
" 10123 () FZ	0.012 (123)	"	"	12.0	"	"	"	
" 10153 () FZ	0.015 (153)	"	7.0	12.5	"	"	"	
" 10183 () FZ	0.018 (183)	"	7.5	13.0	"	"	0.8	
" 10223 () FZ	0.022 (223)	"	"	15.5	"	"	"	
" 10273 () FZ	0.027 (273)	21.0	6.0	13.0	17.5	"	"	
" 10333 () FZ	0.033 (333)	"	6.5	14.0	"	"	"	
" 10393 () FZ	0.039 (393)	"	7.0	14.5	"	"	"	
" 10473 () FZ	0.047 (473)	"	7.5	15.5	"	"	"	
" 10563 () FZ	0.056 (563)	"	"	17.0	"	"	"	
" 10683 () FZ	0.068 (683)	"	8.5	18.0	"	"	"	
" 10823 () FZ	0.082 (823)	"	9.0	18.5	"	"	"	
" 10104 () FZ	0.1 (104)	"	10.0	20.0	"	"	"	
" 10124 () FZ	0.12 (124)	26.0	9.0	18.5	22.5	"	"	
" 10154 () FZ	0.15 (154)	"	"	20.0	"	1.5	"	
" 10184 () FZ	0.18 (184)	"	10.5	22.0	"	"	"	
" 10224 () FZ	0.22 (224)	"	12.0	23.0	"	"	"	

TOL. SYMBOL (J or K)



ALTERATION		
ISSUE	DESCRIPTION	DATE
△	Company name changed	Apr. 1 2012
△	Company name changed	Apr. 1 2013
△	Company name changed	Apr. 1 2015
△	Company name changed	Apr. 1 2022
SPECIFICATIONS No.		

ITEM CODE NUMBER STRUCTURE



CONSTRUCTION

The capacitor is of non-inductive construction, wound with metallized polyester film dielectric.
The capacitor is enclosed in non-combustible epoxy resin and has two leads.

MARKING

Marking comprises capacitance, capacitance tolerance, rated voltage, type name, manufacturer's trademark and date code.

PROPERTIES

Capacitance : See table at 1kHz
 Capacitance tolerance : ±5% (J), ±10% (K) at 1kHz
 Rated voltage : 125VAC*/1000VDC (Derating of rated voltage by 1.25%/°C at more than 85°C)
 Withstand voltage (terminal-terminal) : 1000VDC×175% for 2s~5s (1000VAC for 60s)
 (terminal-enclosure) : 1500VAC for 60s
 Insulation resistance : ≥10000MΩ at 100VDC, 20°C for 60s
 : ≥2000MΩ at 500VDC, 20°C for 60s
 Dissipation factor : ≤1.0% at 1kHz, 20°C
 Category temperature range : From -40°C to +105°C
 (including temperature rise on unit surface)

*When capacitor use in primary side of power source as across the line capacitor, this capacitor can used in Japan only.

MARKING EXAMPLE

Ⓜ 103 K
 Q-E 1000V
 125V~ [] ← date code

DESIGN	M. MEKADA
CHECKED	T. KATO
APPROVAL	T. KATO
ESTABLISHMENT	Apr. 27, 2011
TYPE NAME	
ECQE10*** () FZ	
NAME Metallized Polyester Film Capacitor	
DRAWING NAME	
PRODUCT DRAWING	
DRAWING No.	
A003M-J-E (1/1)	

Film Capacitor Business Unit
 Device Solutions Business Division
 Panasonic Industry Co., Ltd.