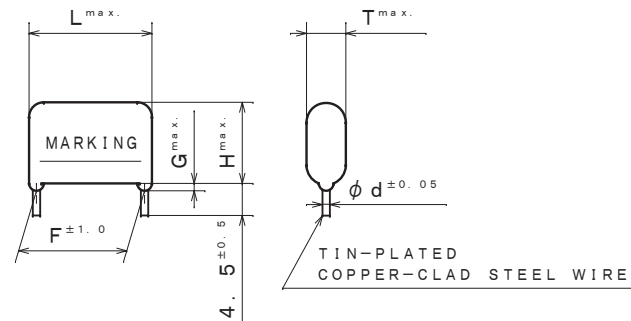
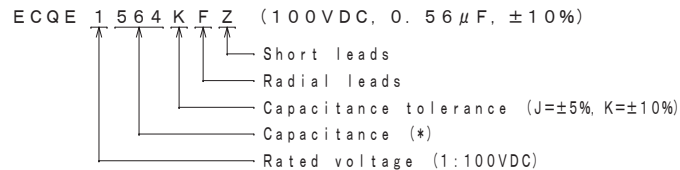


ITEM CODE	RATED VOLTAGE	CAP. $\mu$ F ( * )	DIMENSIONS							MARKING STYLE
			L	T	H	F	G	d		
ECQE1564 () FZ	100VDC	0.56 (564)	12.0	5.5	10.9	10.0	1.0	0.6	1	
" 1684 () FZ	"	0.68 (684)	"	6.0	11.9	"	"	"	"	
" 1824 () FZ	"	0.82 (824)	"	"	13.5	"	"	"	"	
" 1105 () FZ	"	1.0 (105)	"	6.7	14.0	"	"	"	"	
" 1125 () FZ	"	1.2 (125)	18.5	5.5	12.8	15.0	"	"	2	
" 1155 () FZ	"	1.5 (155)	"	6.0	13.4	"	"	0.8	"	
" 1185 () FZ	"	1.8 (185)	"	6.5	14.4	"	"	"	"	
" 1225 () FZ	"	2.2 (225)	"	7.0	15.0	"	"	"	"	
" 1275 () FZ	"	2.7 (275)	"	8.0	15.8	"	"	"	"	
" 1335 () FZ	"	3.3 (335)	"	8.5	16.5	"	"	"	"	
" 1395 () FZ	"	3.9 (395)	26.0	7.0	16.4	22.5	"	"	"	
" 1475 () FZ	"	4.7 (475)	"	7.5	17.0	"	"	"	"	
" 1565 () FZ	"	5.6 (565)	"	8.3	17.5	"	"	"	"	
" 1685 () FZ	"	6.8 (685)	"	9.0	18.5	"	"	"	"	
" 1825 () FZ	"	8.2 (825)	"	10.0	20.0	"	1.5	"	"	
" 1106 () FZ	"	10.0 (106)	"	11.5	21.0	"	"	"	"	

TOL. SYMBOL (J or K)

ITEM CODE NUMBER STRUCTURE



CONSTRUCTION

The capacitor is of non-inductive construction, wound with metallized polyester film dielectric.  
The capacitor is enclosed in non-combustible epoxy resin and has two leads.

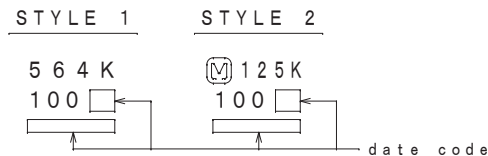
MARKING

Marking comprises capacitance, capacitance tolerance, rated voltage, manufacturer's trademark (STYLE 2 only) and date code.

PROPERTIES

Capacitance	: See table at 1kHz
Capacitance tolerance	: $\pm$ 5% (J), $\pm$ 10% (K) at 1kHz
Rated voltage	: 100VDC $\Delta$ (Derating of rated voltage by 1.25%/ $^{\circ}$ C at more than 85 $^{\circ}$ C)
Withstand voltage	: 100VDC $\times$ 150% for 60s
Insulation resistance	: $\geq$ 3000M $\Omega$ $\cdot$ $\mu$ F at 100VDC, 20 $^{\circ}$ C for 60s
Dissipation factor	: $\leq$ 1.0% at 1kHz, 20 $^{\circ}$ C
Category temperature range	: $\Delta$ From -40 $^{\circ}$ C to +105 $^{\circ}$ C (including temperature rise on unit surface)

MARKING EXAMPLE



ALTERATION

ISSUE	DESCRIPTION	DATE
$\Delta$	Company name changed	Apr. 1 2006
$\Delta$	Correction: category temperature range (-40 $^{\circ}$ C~+85 $^{\circ}$ C--40 $^{\circ}$ C~+105 $^{\circ}$ C) Addition: rated voltage (Derating of rated voltage by 1.25%/ $^{\circ}$ C at more than 85 $^{\circ}$ C)	Jan. 22 2008
$\Delta$	Company name changed	Apr. 1 2008
$\Delta$	Company name changed	Apr. 1 2012
$\Delta$	Company name changed	Apr. 1 2013
$\Delta$	Company name changed	Apr. 1 2015
$\Delta$	Company name changed	Apr. 1 2022

SPECIFICATIONS No.  
TEB7174H

DESIGN	M. MEKADA
CHECKED	T. KATO
APPROVAL	T. KATO
ESTABLISHMENT	Dec. 5. 2005
TYPE NAME	
ECQE1*** () FZ	
NAME Metallized Polyester Film Capacitor	
DRAWING NAME	
PRODUCT DRAWING	
DRAWING No.	
5082M-J-E (1/1)	

Film Capacitor Business Unit  
Device Solutions Business Division  
Panasonic Industry Co., Ltd.