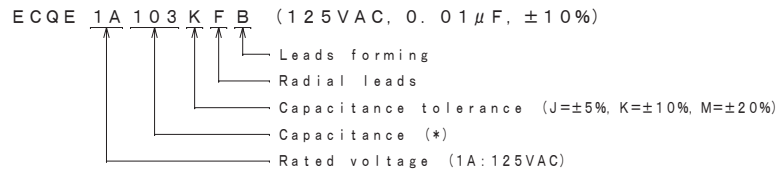


ITEM CODE	RATED VOLTAGE	CAP. $\mu F$ ( * )	DIMENSIONS					MARKING STYLE	FORMING TYPE
			L	T	H	S	d		
ECQE1A103 ( ) FB	125VAC	0.01 (103)	10.5	4.5	7.5	7.5	0.6	1	D
" 1A123 ( ) FB	"	0.012 (123)	"	4.4	"	"	"	"	"
" 1A153 ( ) FB	"	0.015 (153)	"	"	"	"	"	"	"
" 1A183 ( ) FB	"	0.018 (183)	"	"	"	"	"	"	"
" 1A223 ( ) FB	"	0.022 (223)	"	"	"	"	"	"	"
" 1A273 ( ) FB	"	0.027 (273)	"	"	"	"	"	"	"
" 1A333 ( ) FB	"	0.033 (333)	"	4.5	7.8	"	"	"	"
" 1A393 ( ) FB	"	0.039 (393)	"	"	"	"	"	"	"
" 1A473 ( ) FB	"	0.047 (473)	"	5.5	8.0	"	"	"	"
" 1A563 ( ) FB	"	0.056 (563)	"	5.9	8.5	"	"	"	"
" 1A683 ( ) FB	"	0.068 (683)	"	6.3	9.4	"	"	"	"
" 1A823 ( ) FB	"	0.082 (823)	"	6.5	9.8	"	"	"	"
" 1A104 ( ) FB	"	0.1 (104)	"	"	11.8	"	"	"	"
" 1A124 ( ) FB	"	0.12 (124)	12.5	5.9	11.5	10.0	"	"	"
" 1A154 ( ) FB	"	0.15 (154)	"	6.5	12.0	"	"	"	"
" 1A184 ( ) FB	"	0.18 (184)	"	7.0	12.5	"	"	"	"
" 1A224 ( ) FB	"	0.22 (224)	"	7.5	13.4	"	"	"	"
" 1A274 ( ) FB	"	0.27 (274)	18.5	6.3	12.0	"	2	B	"
" 1A334 ( ) FB	"	0.33 (334)	"	6.9	12.5	"	"	"	"
" 1A394 ( ) FB	"	0.39 (394)	"	7.4	13.0	"	"	"	"
" 1A474 ( ) FB	"	0.47 (474)	"	7.5	15.3	"	"	"	"

TOL. SYMBOL (J or K or M)

ITEM CODE NUMBER STRUCTURE



CONSTRUCTION

The capacitor is of non-inductive construction, wound with metallized polyester film dielectric.  
The capacitor is enclosed in non-combustible epoxy resin and has two leads.

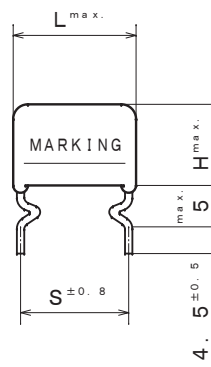
MARKING

Marking comprises capacitance, capacitance tolerance, rated voltage, manufacturer's trademark (STYLE 2 only) and date code.

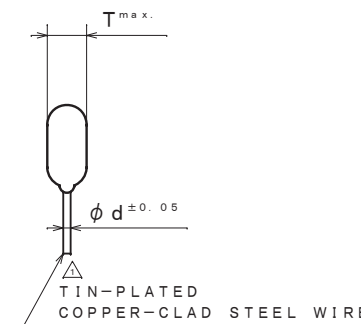
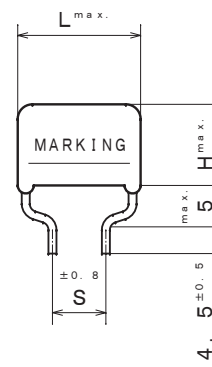
PROPERTIES

Capacitance	: See table	at 1kHz
Capacitance tolerance	: $\pm 5\%$ (J), $\pm 10\%$ (K), $\pm 20\%$ (M)	at 1kHz
Rated voltage	: 125VAC	
Withstand voltage (terminal-terminal)	: 125VACx230% for 60s	
(terminal-enclosure)	: 1500VAC for 60s	
Insulation resistance	: $\geq 2000M\Omega$ at 500VDC, 20°C for 60s	
Dissipation factor	: $\leq 1.0\%$ at 1kHz, 20°C	
Category temperature range	: $\triangle$ From -40°C to +105°C	
(including temperature rise on unit surface)		

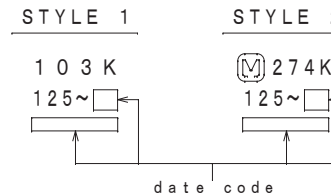
TYPE D



TYPE B



MARKING EXAMPLE



ALTERATION

ISSUE	DESCRIPTION	DATE
$\triangle$	Company name changed	Oct. 1 2004
$\triangle$	Company name changed	Apr. 1 2005
$\triangle$	Company name changed	Apr. 1 2006
$\triangle$	Company name changed	Apr. 1 2008
$\triangle$	Change: category temperature range (-40°C~+85°C~-40°C~+105°C)	Dec. 21 2010
$\triangle$	Company name changed	Apr. 1 2012
$\triangle$	Company name changed	Apr. 1 2013
$\triangle$	Company name changed	Apr. 1 2015
$\triangle$	Company name changed	Apr. 1 2022

SPECIFICATIONS No.  
TEA7069H

DESIGN	M. MEKADA
CHECKED	T. KATO
APPROVAL	T. KATO
ESTABLISHMENT	Nov. 22, 1988
TYPE NAME	
ECQE1A*** ( ) FB	
NAME Metallized Polyester Film Capacitor	
DRAWING NAME	
PRODUCT DRAWING	
DRAWING No.	
CT-H-820E (1/1)	

Film Capacitor Business Unit  
Device Solutions Business Division  
Panasonic Industry Co., Ltd.