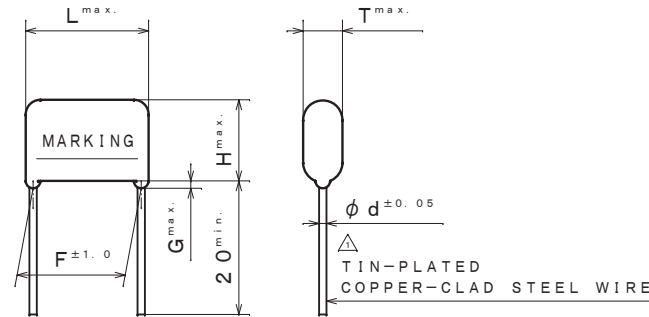


ITEM CODE	RATED VOLTAGE	CAP. $\mu F$ ( * )	DIMENSIONS							MARKING STYLE
			L	T	H	F	G	d		
ECQE2A103 ( ) F	250VAC	0.01 (103)	12.5	5.5	10.8	10.0	1.0	0.6	1	
" 2A123 ( ) F	"	0.012 (123)	"	6.0	11.5	"	"	"	"	
" 2A153 ( ) F	"	0.015 (153)	"	6.3	9.9	"	"	"	"	
" 2A183 ( ) F	"	0.018 (183)	"	6.0	11.9	"	"	"	"	
" 2A223 ( ) F	"	0.022 (223)	"	"	11.5	"	"	"	"	
" 2A273 ( ) F	"	0.027 (273)	"	5.5	10.9	"	"	"	"	
" 2A333 ( ) F	"	0.033 (333)	"	6.0	11.9	"	"	"	"	
" 2A393 ( ) F	"	0.039 (393)	"	"	13.4	"	"	"	"	
" 2A473 ( ) F	"	0.047 (473)	"	6.5	14.4	"	"	"	"	
" 2A563 ( ) F	"	0.056 (563)	18.5	5.4	10.5	15.0	"	"	2	
" 2A683 ( ) F	"	0.068 (683)	"	5.8	11.0	"	"	"	"	
" 2A823 ( ) F	"	0.082 (823)	"	6.3	12.0	"	"	"	"	
" 2A104 ( ) F	"	0.1 (104)	"	"	14.0	"	"	"	"	
" 2A124 ( ) F	"	0.12 (124)	"	6.8	14.5	"	"	0.8	"	
" 2A154 ( ) F	"	0.15 (154)	"	7.5	15.4	"	"	"	"	
" 2A184 ( ) F	"	0.18 (184)	"	8.0	16.0	"	"	"	"	
" 2A224 ( ) F	"	0.22 (224)	"	9.0	16.9	"	"	"	"	
" 2A274 ( ) F	"	0.27 (274)	26.0	7.0	16.5	22.5	"	"	"	
" 2A334 ( ) F	"	0.33 (334)	"	7.8	17.0	"	"	"	"	
" 2A394 ( ) F	"	0.39 (394)	"	8.5	17.9	"	"	"	"	
" 2A474 ( ) F	"	0.47 (474)	"	9.3	18.5	"	"	"	"	

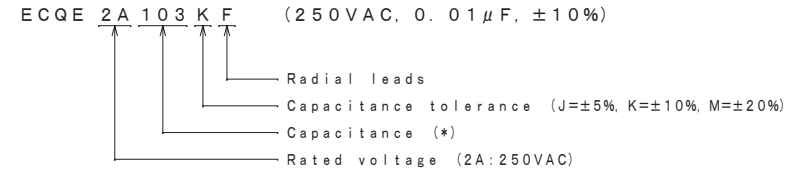
TOL. SYMBOL (J or K or M)



ALTERATION		
ISSUE	DESCRIPTION	DATE
△	Company name changed	Oct. 1 2004
△	Company name changed	Apr. 1 2005
△	Company name changed	Apr. 1 2006
△	Company name changed	Apr. 1 2008
△	Change category temperature range (-40°C~+85°C--40°C~+105°C)	Dec. 21 2010
△	Company name changed	Apr. 1 2012
△	Company name changed	Apr. 1 2013
△	Company name changed	Apr. 1 2015
△	Company name changed	Apr. 1 2022

SPECIFICATIONS No. TEA7074H

ITEM CODE NUMBER STRUCTURE



CONSTRUCTION

The capacitor is of non-inductive construction, wound with metallized polyester film dielectric.

The capacitor is enclosed in non-combustible epoxy resin and has two leads.

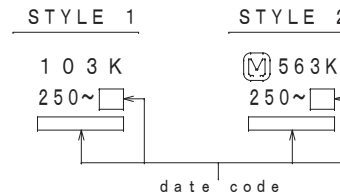
MARKING

Marking comprises capacitance, capacitance tolerance, rated voltage, manufacturer's trademark (STYLE 2 only) and date code.

PROPERTIES

Capacitance	: See table	at 1kHz
Capacitance tolerance	: $\pm$ 5% (J), $\pm$ 10% (K), $\pm$ 20% (M)	at 1kHz
Rated voltage	: 250VAC	
Withstand voltage (terminal-terminal)	: 250VAC $\times$ 230% for 60s	
(terminal-enclosure)	: 1500VAC for 60s	
Insulation resistance	: $\geq$ 2000M $\Omega$ at 500VDC, 20°C for 60s	
Dissipation factor	: $\leq$ 1.0% at 1kHz, 20°C	
Category temperature range	: $\triangle$ From -40°C to +105°C (including temperature rise on unit surface)	

MARKING EXAMPLE



DESIGN	M. MEKADA
CHECKED	T. KATO
APPROVAL	T. KATO
ESTABLISHMENT	Nov. 22, 1988
TYPE NAME	
ECQE2A*** ( ) F	
NAME Metallized Polyester Film Capacitor	
DRAWING NAME	
PRODUCT DRAWING	
DRAWING No.	
CT-H-821E (1/1)	

Film Capacitor Business Unit  
Device Solutions Business Division  
Panasonic Industry Co., Ltd.