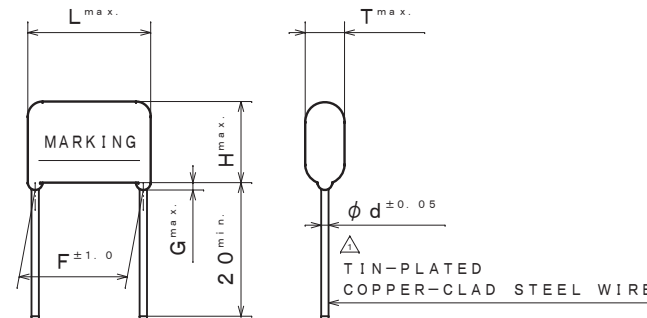
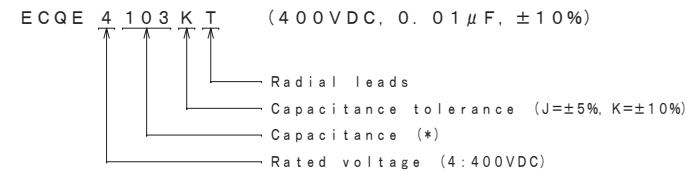


ITEM CODE	RATED VOLTAGE	CAP. μF (*)	DIMENSIONS							MARKING STYLE
			L	T	H	F	G	d		
ECQE4103 () T	400VDC	0.01 (103)	10.8	4.3	7.4	7.5	1.0	0.6	1	
" 4123 () T	"	0.012 (123)	"	4.4	7.5	"	"	"	"	
" 4153 () T	"	0.015 (153)	"	"	"	"	"	"	"	
" 4183 () T	"	0.018 (183)	"	"	"	"	"	"	"	
" 4223 () T	"	0.022 (223)	"	4.8	7.9	"	"	"	"	
" 4273 () T	"	0.027 (273)	"	5.5	8.0	"	"	"	"	
" 4333 () T	"	0.033 (333)	"	6.0	9.0	"	"	"	"	
" 4393 () T	"	0.039 (393)	12.5	4.9	8.0	10.0	"	"	"	
" 4473 () T	"	0.047 (473)	"	5.0	8.3	"	"	"	"	
" 4563 () T	"	0.056 (563)	"	"	10.0	"	"	"	"	
" 4683 () T	"	0.068 (683)	"	5.4	10.5	"	"	"	"	
" 4823 () T	"	0.082 (823)	"	5.8	11.0	"	"	"	"	
" 4104 () T	"	0.1 (104)	"	6.3	12.0	"	"	"	"	
" 4124 () T	"	0.12 (124)	19.0	5.0	10.0	15.0	"	"	2	
" 4154 () T	"	0.15 (154)	"	"	12.4	"	"	"	"	
" 4184 () T	"	0.18 (184)	"	5.4	12.5	"	"	"	"	
" 4224 () T	"	0.22 (224)	"	5.9	13.0	"	"	"	"	
" 4274 () T	"	0.27 (274)	"	6.5	14.3	"	"	0.8	"	
" 4334 () T	"	0.33 (334)	"	7.0	14.9	"	"	"	"	
" 4394 () T	"	0.39 (394)	"	7.5	15.4	"	"	"	"	
" 4474 () T	"	0.47 (474)	"	7.8	17.0	"	"	"	"	
" 4564 () T	"	0.56 (564)	26.5	6.5	16.0	22.5	"	"	"	
" 4684 () T	"	0.68 (684)	"	7.0	16.5	"	"	"	"	
" 4824 () T	"	0.82 (824)	"	7.9	17.3	"	"	"	"	
" 4105 () T	"	1.0 (105)	"	8.5	18.0	"	"	"	"	
" 4125 () T	"	1.2 (125)	"	9.5	18.9	"	"	"	"	
" 4155 () T	"	1.5 (155)	31.5	"	19.0	27.5	"	"	"	
" 4185 () T	"	1.8 (185)	"	11.0	20.5	"	1.5	"	"	
" 4225 () T	"	2.2 (225)	"	"	22.0	"	"	"	"	

TOL. SYMBOL (J or K)



ITEM CODE NUMBER STRUCTURE



CONSTRUCTION

The capacitor is of non-inductive construction, wound with metallized polyester film dielectric.

The capacitor is enclosed in non-combustible epoxy resin and has two leads.

MARKING

Marking comprises capacitance, capacitance tolerance, rated voltage, manufacturer's trademark (STYLE 2 only) and date code.

PROPERTIES

Capacitance	: See table	at 1kHz
Capacitance tolerance	: $\pm 5\%$ (J), $\pm 10\%$ (K)	at 1kHz
Rated voltage	: 400VDC Δ	(Derating of rated voltage by 1.25%/°C at more than 85°C)
Withstand voltage	: 400VDC $\times 150\%$	for 60s
Insulation resistance	: $\geq 9000M\Omega$	(C $\leq 0.33\mu F$) at 100VDC, 20°C for 60s
	: $\geq 3000M\Omega \cdot \mu F$	(C > 0.33 μF) at 100VDC, 20°C for 60s
Dissipation factor	: $\leq 1.0\%$	at 1kHz, 20°C
Category temperature range	: Δ	From -40°C to +105°C
	(including temperature rise on unit surface)	

DO NOT SCALE DRAWING REVISIONS INDICATED BY Δ ALL DIMENSIONS ARE IN MILLIMETERS

ALTERATION

ISSUE	DESCRIPTION	DATE
Δ	Modification	Jun. 20 2002
Δ	Company name changed	Oct. 1 2004
Δ	Company name changed	Apr. 1 2005
Δ	Company name changed	Apr. 1 2006
Δ	Correction: category temperature range (-40°C~+85°C--40°C~+105°C) Addition: rated voltage (Derating of rated voltage by 1.25%/°C at more than 85°C) Company name changed	Apr. 1 2008
Δ	Company name changed	Apr. 1 2012
Δ	Company name changed	Apr. 1 2013
Δ	Company name changed	Apr. 1 2015
Δ	Company name changed	Apr. 1 2022

SPECIFICATIONS No.

DESIGN	M. MEKADA
CHECKED	T. KATO
APPROVAL	T. KATO
ESTABLISHMENT	Mar. 7. 2002
TYPE NAME	
ECQE4*** () T	
NAME Metallized Polyester Film Capacitor	
DRAWING NAME	
PRODUCT DRAWING	
DRAWING No.	
2033M-J-E (1/1)	

Film Capacitor Business Unit
Device Solutions Business Division
Panasonic Industry Co., Ltd.

MARKING EXAMPLE

