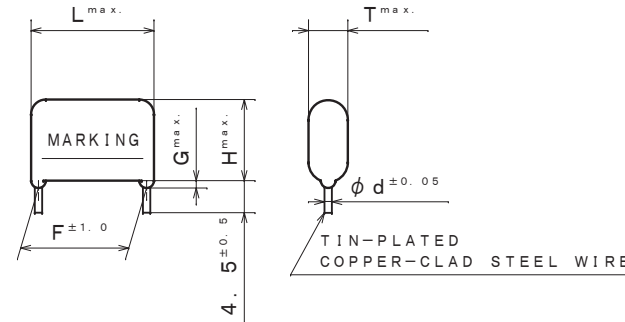
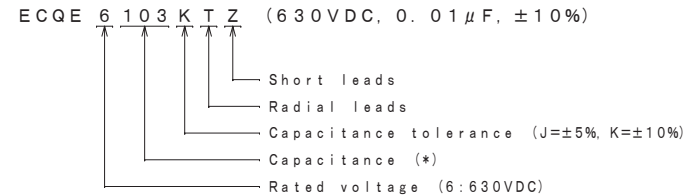


ITEM CODE	RATED VOLTAGE	CAP. μF (*)	DIMENSIONS							MARKING STYLE
			L	T	H	F	G	d		
ECQE6103 () TZ	630VDC	0.01 (103)	12.5	4.5	7.5	10.0	1.0	0.6	1	
" 6123 () TZ	"	0.012 (123)	"	"	7.8	"	"	"	"	
" 6153 () TZ	"	0.015 (153)	"	5.0	8.2	"	"	"	"	
" 6183 () TZ	"	0.018 (183)	"	4.9	10.0	"	"	"	"	
" 6223 () TZ	"	0.022 (223)	"	5.3	10.5	"	"	"	"	
" 6273 () TZ	"	0.027 (273)	"	5.5	10.9	"	"	"	"	
" 6333 () TZ	"	0.033 (333)	"	6.0	11.9	"	"	"	"	
" 6393 () TZ	"	0.039 (393)	"	"	13.4	"	"	"	"	
" 6473 () TZ	"	0.047 (473)	"	6.5	13.5	"	"	"	"	
" 6563 () TZ	"	0.056 (563)	19.0	5.4	10.5	15.0	"	"	2	
" 6683 () TZ	"	0.068 (683)	"	5.8	11.0	"	"	"	"	
" 6823 () TZ	"	0.082 (823)	"	6.5	12.0	"	"	"	"	
" 6104 () TZ	"	0.1 (104)	"	6.3	14.0	"	"	"	"	
" 6124 () TZ	"	0.12 (124)	"	"	14.5	"	"	0.8	"	
" 6154 () TZ	"	0.15 (154)	"	7.5	15.4	"	"	"	"	
" 6184 () TZ	"	0.18 (184)	"	8.0	16.0	"	"	"	"	
" 6224 () TZ	"	0.22 (224)	"	9.0	16.5	"	"	"	"	
" 6274 () TZ	"	0.27 (274)	26.5	7.0	"	22.5	"	"	"	
" 6334 () TZ	"	0.33 (334)	"	7.8	17.0	"	"	"	"	
" 6394 () TZ	"	0.39 (394)	"	8.5	17.9	"	"	"	"	
" 6474 () TZ	"	0.47 (474)	"	9.3	18.5	"	"	"	"	
" 6564 () TZ	"	0.56 (564)	"	10.0	20.0	"	1.5	"	"	
" 6684 () TZ	"	0.68 (684)	"	11.5	21.0	"	"	"	"	
" 6824 () TZ	"	0.82 (824)	31.5	11.3	20.5	27.5	"	"	"	
" 6105 () TZ	"	1.0 (105)	"	12.5	21.9	"	"	"	"	
" 6125 () TZ	"	1.2 (125)	"	13.5	23.0	"	"	"	"	
" 6155 () TZ	"	1.5 (155)	"	15.3	24.7	"	"	"	"	
" 6185 () TZ	"	1.8 (185)	"	16.8	27.0	"	"	"	"	
" 6225 () TZ	"	2.2 (225)	"	19.5	29.0	"	"	"	"	

TOL. SYMBOL (J or K)



ITEM CODE NUMBER STRUCTURE



CONSTRUCTION

The capacitor is of non-inductive construction, wound with metallized polyester film dielectric.
The capacitor is enclosed in non-combustible epoxy resin and has two leads.

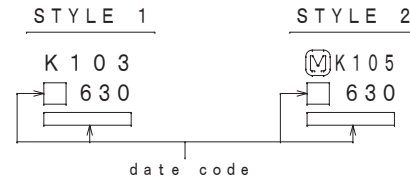
MARKING

Marking comprises capacitance, capacitance tolerance, rated voltage, manufacturer's trademark (STYLE 2 only) and date code.

PROPERTIES

Capacitance : See table at 1kHz
 Capacitance tolerance : $\pm 5\%$ (J), $\pm 10\%$ (K) at 1kHz
 Rated voltage : 630VDC (Derating of rated voltage by 1.25%/ $^{\circ}C$ at more than 85 $^{\circ}C$)
 Withstand voltage : 630VDC $\times 150\%$ for 60s
 Insulation resistance : $\geq 9000M\Omega$ ($C \leq 0.33\mu F$) at 100VDC, 20 $^{\circ}C$ for 60s
 : $\geq 3000M\Omega \cdot \mu F$ ($C > 0.33\mu F$) at 100VDC, 20 $^{\circ}C$ for 60s
 Dissipation factor : $\leq 1.0\%$ at 1kHz, 20 $^{\circ}C$
 Category temperature range : From -40 $^{\circ}C$ to +105 $^{\circ}C$
 (including temperature rise on unit surface)

MARKING EXAMPLE



ALTERATION

ISSUE	DESCRIPTION	DATE
△	Company name changed	Apr. 1 2012
△	Company name changed	Apr. 1 2013
△	Company name changed	Apr. 1 2015
△	Company name changed	Apr. 1 2022

SPECIFICATIONS No.

DESIGN	M. MEKADA
CHECKED	T. KATO
APPROVAL	T. KATO
ESTABLISHMENT	Oct. 4, 2010
TYPE NAME	
ECQE6*** () TZ	
NAME Metallized Polyester Film Capacitor	
DRAWING NAME	
PRODUCT DRAWING	
DRAWING No.	
0033M-J-E (1/1)	

Film Capacitor Business Unit
 Device Solutions Business Division
 Panasonic Industry Co., Ltd.