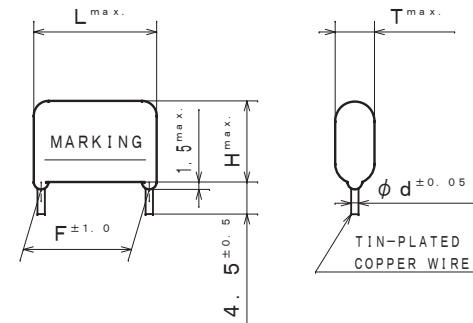
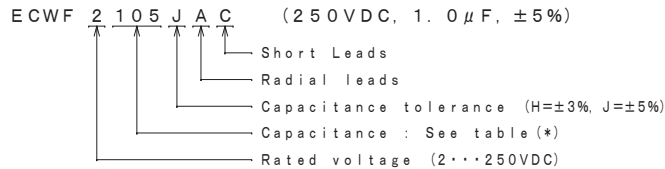


ITEM CODE	CAPACITANCE		DIMENSIONS					VOLUME (mm ³)	MARKING STYLE	NOTE
	μF	(*)	L	T	H	F	d			
ECWF2105 () AC	1.0	(105)	18.1	8.5	13.3	15.0	0.8	1684	1	
" 2125 () AC	1.2	(125)	18.8	9.5	14.6	"	"	2125	2	*
" 2155 () AC	1.5	(155)	"	10.5	15.6	"	"	2497	"	*
" 2185 () AC	1.8	(185)	"	11.4	16.5	"	"	2863	"	*
" 2225 () AC	2.2	(225)	"	12.6	17.6	"	"	3344	"	*
" 2275 () AC	2.7	(275)	23.8	11.4	17.2	20.0	"	3824	"	*
" 2335 () AC	3.3	(335)	"	12.5	18.3	"	"	4452	"	*
" 2395 () AC	3.9	(395)	"	13.5	19.3	"	"	5070	"	*
" 2475 () AC	4.7	(475)	"	14.8	20.6	"	"	5882	"	*
" 2565 () AC	5.6	(565)	"	16.2	21.9	"	"	6784	"	*
" 2685 () AC	6.8	(685)	"	17.8	23.5	"	"	7971	"	*

Note

※The specimen (the volume is more than 1750mm³) shall be satisfied with IEC60384-1 Inflammability Category B based on IEC60065, 1998~

ITEM CODE NUMBER STRUCTURE



*F: regulation of the root

CONSTRUCTION

The capacitor is of non-inductive construction, wound with metallized polypropylene film dielectric.
The capacitor is enclosed in non-combustible epoxy resin and has two leads.

MARKING

Marking comprises capacitance, capacitance tolerance, rated voltage, type name "WFA" and manufacturer's date code.

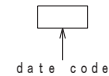
PROPERTIES

Capacitance	: See table	at 1kHz
Capacitance tolerance	: ±3% (H), ±5% (J)	
Rated voltage	: 250VDC	
Withstand voltage	: 250VDC×150% for 60s	
Insulation resistance	: ≥3000MΩ·μF at 100VDC, 20°C for 60s	
Dissipation factor	: ≤0.1% at 1kHz, 20°C	
Category temperature range	: From -40°C to +105°C	
(including temperature rise on unit surface)		

MARKING EXAMPLE

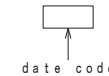
STYLE 1

WFA105J
250V



STYLE 2

WFA225J
250V



ALTERATION		
ISSUE	DESCRIPTION	DATE
△	Company name changed	Apr. 1 2012
△	Company name changed	Apr. 1 2013
△	Company name changed	Apr. 1 2015
△	Company name changed	Apr. 1 2022
SPECIFICATIONS No.		

DESIGN	M. MEKADA
CHECKED	T. KATO
APPROVAL	T. KATO
ESTABLISHMENT	Sep. 27, 2010
TYPE NAME	
ECWF2*** () AC	
NAME Metallized Polypropylene Film Capacitor	
DRAWING NAME	
PRODUCT DRAWING	
DRAWING No.	
0055J-J-E (1/1)	

Film Capacitor Business Unit
Device Solutions Business Division
Panasonic Industry Co., Ltd.