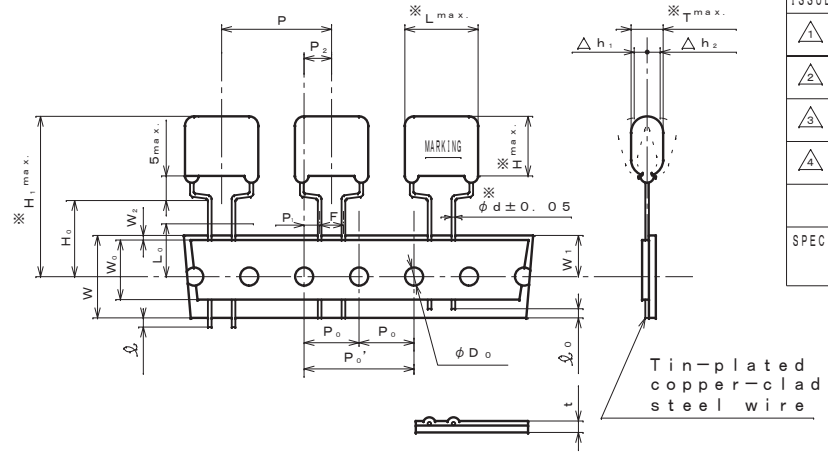


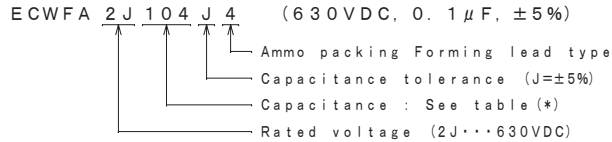
ITEM CODE	CAPACITANCE		DIMENSIONS					VOLUME (mm ³)
	μF	(*)	L	T	H	H ₁	d	
ECWFA2J104J4	0.1	(104)	18.2	5.2	10.4	32.4	0.6	835
" 2J124J4	0.12	(124)	"	5.5	10.8	32.8	"	918
" 2J154J4	0.15	(154)	"	6.0	11.2	33.2	"	1039
" 2J184J4	0.18	(184)	"	6.5	11.7	33.7	"	1159
" 2J224J4	0.22	(224)	"	7.1	12.3	34.3	"	1315
" 2J274J4	0.27	(274)	"	7.8	12.9	34.9	"	1507
" 2J334J4	0.33	(334)	"	8.5	13.6	35.6	"	1732
" 2J394J4	0.39	(394)	"	9.2	14.3	36.3	"	1955
" 2J474J4	0.47	(474)	"	10.0	15.1	37.1	"	2246
" 2J564J4	0.56	(564)	"	10.9	16.0	38.0	"	2574
" 2J684J4	0.68	(684)	"	12.0	17.1	39.1	"	3001



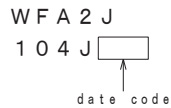
ALTERATION		
ISSUE	DESCRIPTION	DATE
△	Company name changed	Apr. 1 2012
△	Company name changed	Apr. 1 2013
△	Company name changed	Apr. 1 2015
△	Company name changed	Apr. 1 2022

SPECIFICATIONS No.

ITEM CODE NUMBER STRUCTURE



MARKING EXAMPLE



SYMBOL	ITEM	VALUE	TOLERANCE	REMARKS
P	Pitch of component	30.0	±1.0	Tilt of component and curvature of leads shall be included.
P ₀ '	Feed hole pitch	30.0	±0.2	
P ₀	Feed hole pitch	15.0	±0.2	
P ₁	Feed hole center to lead	3.75	±0.5	
P ₂	Hole center to comp. center	7.5	±1.3	Tilt of component due to curvature of leads shall be included.
F	Lead-to-lead distance	7.5	+0.8 -0.2	
Δh _{1,2}	Component alignment	0~2.0		Tilt of component due to curvature of leads shall be included.
W	Paper backing width	18.0	±0.5	
W ₀	Adhesive tape width	12.5	min.	The hold down tape shall not protrude beyond the carrier tape.
W ₁	Hole position	9.0	±0.5	
W ₂	Hold-down tape position	0~3.0		
H ₀	Lead-wire clinch height	16.0	+1.0 0	
φ	Lead wire protrusion	0	max.	
φ _p	Lead wire depression	7.0	max.	
φD ₀	Feed hole diameter	4.0	±0.2	
t	Total tape thickness	0.7	±0.2	Total thickness including the hold down tape.
L ₀	Length of snapped lead	11.0	max.	

CONSTRUCTION

The capacitor is of non-inductive construction, wound with metallized polypropylene film dielectric.
The capacitor is enclosed in non-combustible epoxy resin and has two leads.

MARKING

Marking comprises capacitance, capacitance tolerance, rated voltage, type name "WFA" and manufacturer's date code.

PROPERTIES

Capacitance : See table at 1kHz
 Capacitance tolerance : ±5%(J)
 Rated voltage : 630VDC (Derating of rated voltage by 1.0%/°C at more than 85°C)
 Withstand voltage : 630VDC×150% for 60s
 Insulation resistance : ≥9000MΩ (C≤0.33μF) at 500VDC, 20°C for 60s
 : ≥3000MΩ·μF (C>0.33μF) at 500VDC, 20°C for 60s
 Dissipation factor : ≤0.1% at 1kHz, 20°C
 Category temperature range : From -40°C to +105°C (including temperature rise on unit surface)

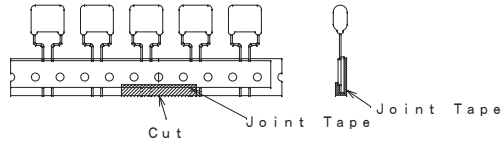
QUANTITY of MINIMUM ORDER

Capacitance range (μF)	Quantity (pcs.)
0.1 ~ 0.12	600
0.15 ~ 0.18	500
0.22 ~ 0.27	400
0.33 ~ 0.56	300
0.68	200

DESIGN	M. MEKADA
CHECKED	H. YAMAMOTO
APPROVAL	T. KATO
ESTABLISHMENT	Nov. 15, 2011
TYPE NAME	
ECWFA 2J***J4	
NAME METALLIZED POLYPROPYLENE CAPACITOR	
DRAWING NAME	
PRODUCT DRAWING	
DRAWING No.	
A011J-J-E (1/2)	

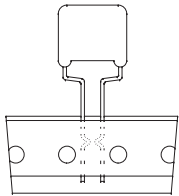
Film Capacitor Business Unit
 Device Solutions Business Division
 Panasonic Industry Co., Ltd.

- Note 1. No more than 2 consecutive missing is permitted.
 Note 2. A tape conjunction and a tape discrepancy specify as follows.



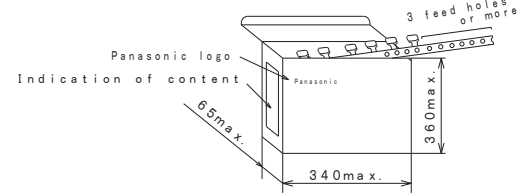
A tape sliding shall not exceed in an allowance of "P₀" dimension. A joint tape put on the back side of paper backing, and turn up the lower part to the front.

- Note 3. A tape trailer having at least 3 feed holes is required at the end of the tape.
 Note 4. Marking on components may not be the same side.
 Note 5. The tape adhesion is more than 3.92N (400gf) / 25mm.
 Note 6. The lead clinch at the tape, shows as follows.



Packing specification

1. Case size (Ammo pack)



2. Packing quantity

Capacitance range (μF)	Quantity (pcs.)
0.1 ~ 0.12	600
0.15 ~ 0.18	500
0.22 ~ 0.27	400
0.33 ~ 0.56	300
0.68	200

Handling notes

- 1) One package must be packed one product only.
- 2) The storage must be stacked 5 boxes or less.
(Surface printed placing upward)
(For prevention from displacement of capacitors and damage of lead crimping)
- 3) The packing box must be handled with care and never thrown out.

REFERENCE

TYPE NAME	ECWFA 2J***J4
DRAWING No.	A011J-J-E (2/2)

Film Capacitor Business Unit
 Device Solutions Business Division
 Panasonic Industry Co., Ltd.