

ISSUE	DESCRIPTION	DATE
△	Addition Capacitance (103~393)	Apr. 16 2019
△	Company name changed	Apr. 1 2022

SPECIFICATIONS No.

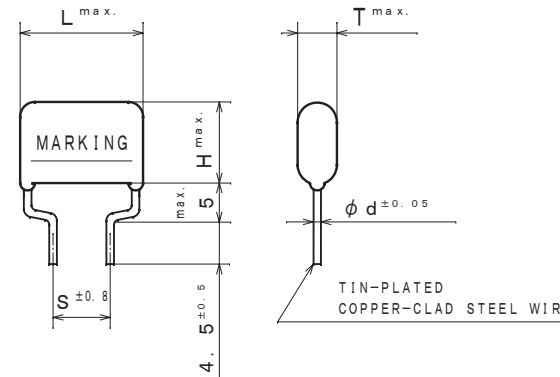
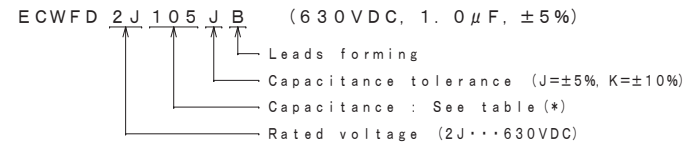
PACKING QUANTITY

Capacitance range (μ F)	Quantity (pcs.)
△ 0.01 ~ 0.22	5000
0.27 ~ 0.33	2600
0.39 ~ 0.47	2200
0.56 ~ 0.68	1600
0.82 ~ 1.2	1200
1.5	1000
1.8	900
2.2	800
2.7	700
3.3	600
3.9	500
4.7	400

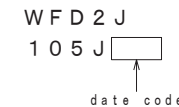
DESIGN	M. MEKADA
CHECKED	T. KATO
APPROVAL	T. KATO
ESTABLISHMENT	Jan. 18. 2017
TYPE NAME ECWFD2J*** () B	
NAME Metallized Polypropylene Film Capacitor	
DRAWING NAME PRODUCT DRAWING	
DRAWING No. G003J-J-E (1/1)	

Film Capacitor Business Unit
Device Solutions Business Division
Panasonic Industry Co., Ltd.

ITEM CODE NUMBER STRUCTURE



MARKING EXAMPLE



QUANTITY of MINIMUM ORDER

Capacitance range (μ F)	Quantity (pcs.)
△ 0.01 ~ 1.5	1000
1.8	900
2.2	800
2.7	700
3.3	600
3.9	500
4.7	400

ITEM CODE	CAPACITANCE μ F (*)	DIMENSIONS					VOLUME (mm ³)
		L	T	H	S	d	
ECWFD2J103 () B	0.01 (103)	12.6	4.9	8.0	7.5	0.6	430
" 2J123 () B	0.012 (123)	"	5.2	8.2	"	"	468
" 2J153 () B	0.015 (153)	"	5.6	8.6	"	"	524
" 2J183 () B	0.018 (183)	"	5.9	9.0	"	"	579
" 2J223 () B	0.022 (223)	"	6.4	9.4	"	"	651
" 2J273 () B	0.027 (273)	"	6.9	9.9	"	"	739
" 2J333 () B	0.033 (333)	"	7.5	10.5	"	"	842
" 2J393 () B	0.039 (393)	"	8.0	11.0	"	"	944
" 2J473 () B	0.047 (473)	"	4.4	7.8	"	"	386
" 2J563 () B	0.056 (563)	"	4.7	8.1	"	"	420
" 2J683 () B	0.068 (683)	"	5.0	8.4	"	"	465
" 2J823 () B	0.082 (823)	"	5.4	8.7	"	"	516
" 2J104 () B	0.1 (104)	"	5.8	9.2	"	"	580
" 2J124 () B	0.12 (124)	"	6.2	9.6	"	"	649
" 2J154 () B	0.15 (154)	"	6.8	10.2	"	"	752
" 2J184 () B	0.18 (184)	"	7.4	10.7	"	"	853
" 2J224 () B	0.22 (224)	"	8.1	11.4	"	"	985
" 2J274 () B	0.27 (274)	17.8	6.0	11.0	"	0.8	1042
" 2J334 () B	0.33 (334)	"	6.6	11.5	"	"	1189
" 2J394 () B	0.39 (394)	"	7.1	12.0	"	"	1334
" 2J474 () B	0.47 (474)	"	7.8	12.7	"	"	1524
" 2J564 () B	0.56 (564)	"	8.4	13.3	"	"	1736
" 2J684 () B	0.68 (684)	"	9.3	14.2	"	"	2014
" 2J824 () B	0.82 (824)	"	10.2	15.1	"	"	2335
" 2J105 () B	1.0 (105)	25.3	8.4	13.5	15.0	"	2498
" 2J125 () B	1.2 (125)	"	9.2	14.3	"	"	2868
" 2J155 () B	1.5 (155)	"	10.3	15.5	"	"	3467
" 2J185 () B	1.8 (185)	"	11.2	16.5	"	"	4011
" 2J225 () B	2.2 (225)	"	12.4	17.7	"	"	4728
" 2J275 () B	2.7 (275)	"	13.8	19.2	"	"	5681
" 2J335 () B	3.3 (335)	"	15.3	20.7	"	"	6737
" 2J395 () B	3.9 (395)	"	16.6	22.1	"	"	7782
" 2J475 () B	4.7 (475)	"	18.3	23.9	"	"	9255

CONSTRUCTION

The capacitor is of non-inductive construction, wound with metallized polypropylene film dielectric.
The capacitor is enclosed in non-combustible epoxy resin and has two leads.

MARKING

Marking comprises capacitance, capacitance tolerance, rated voltage, type name "WFD" and manufacturer's date code.

PROPERTIES

Capacitance : See table at 1kHz
 Capacitance tolerance : \pm 5% (J), \pm 10% (K) at 1kHz.
 Rated voltage : 630VDC (Derating of rated voltage by 1.0%/°C at more than 85°C)
 Withstand voltage : 630VDC \times 150% for 60s
 Insulation resistance : \geq 9000M Ω (C \leq 0.33 μ F) at 500VDC, 20°C for 60s
 : \geq 3000M Ω · μ F (C>0.33 μ F) at 500VDC, 20°C for 60s
 Dissipation factor : \leq 0.1% at 1kHz, 20°C
 Category temperature range : From -40°C to +105°C
 (including temperature rise on unit surface)

ISSUE	DESCRIPTION	DATE
△	Addition Capacitance (103~393)	Apr. 16 2019
△	Company name changed	Apr. 1 2022

SPECIFICATIONS No.

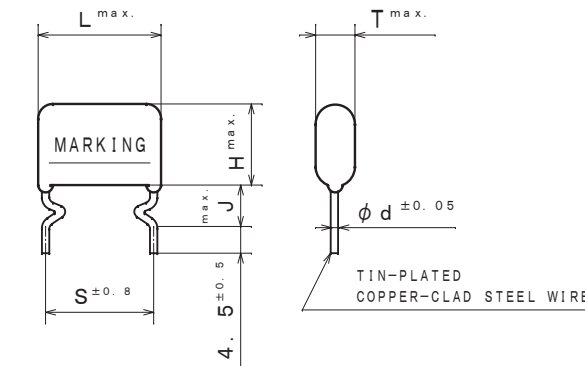
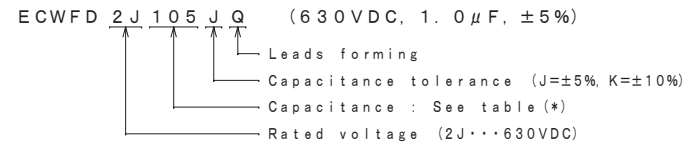
PACKING QUANTITY

Capacitance range (μ F)	Quantity (pcs.)
△ 0.01 ~ 0.22	5000
0.27 ~ 0.33	2600
0.39 ~ 0.47	2200
0.56 ~ 0.68	1600
0.82 ~ 1.2	1200
1.5	1000
1.8	900
2.2	800
2.7	700
3.3	600
3.9	500
4.7	400

DESIGN	M. MEKADA
CHECKED	T. KATO
APPROVAL	T. KATO
ESTABLISHMENT	Jan. 18. 2017
TYPE NAME	
ECWFD2J*** () Q	
NAME Metallized Polypropylene Film Capacitor	
DRAWING NAME	
PRODUCT DRAWING	
DRAWING No.	
G004J-J-E (1/1)	

Film Capacitor Business Unit
Device Solutions Business Division
Panasonic Industry Co., Ltd.

ITEM CODE NUMBER STRUCTURE



ϕ d	J
0.6	5.0
0.8	7.0

MARKING EXAMPLE



QUANTITY of MINIMUM ORDER

Capacitance range (μ F)	Quantity (pcs.)
△ 0.01 ~ 1.5	1000
1.8	900
2.2	800
2.7	700
3.3	600
3.9	500
4.7	400

ITEM CODE	CAPACITANCE μ F (*)	DIMENSIONS					VOLUME (mm ³)
		L	T	H	S	d	
ECWFD2J103 () Q	0.01 (103)	12.6	4.9	8.0	10.0	0.6	430
" 2J123 () Q	0.012 (123)	"	5.2	8.2	"	"	468
" 2J153 () Q	0.015 (153)	"	5.6	8.6	"	"	524
" 2J183 () Q	0.018 (183)	"	5.9	9.0	"	"	579
" 2J223 () Q	0.022 (223)	"	6.4	9.4	"	"	651
" 2J273 () Q	0.027 (273)	"	6.9	9.9	"	"	739
" 2J333 () Q	0.033 (333)	"	7.5	10.5	"	"	842
" 2J393 () Q	0.039 (393)	"	8.0	11.0	"	"	944
" 2J473 () Q	0.047 (473)	"	4.4	7.8	"	"	386
" 2J563 () Q	0.056 (563)	"	4.7	8.1	"	"	420
" 2J683 () Q	0.068 (683)	"	5.0	8.4	"	"	465
" 2J823 () Q	0.082 (823)	"	5.4	8.7	"	"	516
" 2J104 () Q	0.1 (104)	"	5.8	9.2	"	"	580
" 2J124 () Q	0.12 (124)	"	6.2	9.6	"	"	649
" 2J154 () Q	0.15 (154)	"	6.8	10.2	"	"	752
" 2J184 () Q	0.18 (184)	"	7.4	10.7	"	"	853
" 2J224 () Q	0.22 (224)	"	8.1	11.4	"	"	985
" 2J274 () Q	0.27 (274)	17.8	6.0	11.0	15.0	0.8	1042
" 2J334 () Q	0.33 (334)	"	6.6	11.5	"	"	1189
" 2J394 () Q	0.39 (394)	"	7.1	12.0	"	"	1334
" 2J474 () Q	0.47 (474)	"	7.8	12.7	"	"	1524
" 2J564 () Q	0.56 (564)	"	8.4	13.3	"	"	1736
" 2J684 () Q	0.68 (684)	"	9.3	14.2	"	"	2014
" 2J824 () Q	0.82 (824)	"	10.2	15.1	"	"	2335
" 2J105 () Q	1.0 (105)	25.3	8.4	13.5	22.5	"	2498
" 2J125 () Q	1.2 (125)	"	9.2	14.3	"	"	2868
" 2J155 () Q	1.5 (155)	"	10.3	15.5	"	"	3467
" 2J185 () Q	1.8 (185)	"	11.2	16.5	"	"	4011
" 2J225 () Q	2.2 (225)	"	12.4	17.7	"	"	4728
" 2J275 () Q	2.7 (275)	"	13.8	19.2	"	"	5681
" 2J335 () Q	3.3 (335)	"	15.3	20.7	"	"	6737
" 2J395 () Q	3.9 (395)	"	16.6	22.1	"	"	7782
" 2J475 () Q	4.7 (475)	"	18.3	23.9	"	"	9255

CONSTRUCTION

The capacitor is of non-inductive construction, wound with metallized polypropylene film dielectric.
The capacitor is enclosed in non-combustible epoxy resin and has two leads.

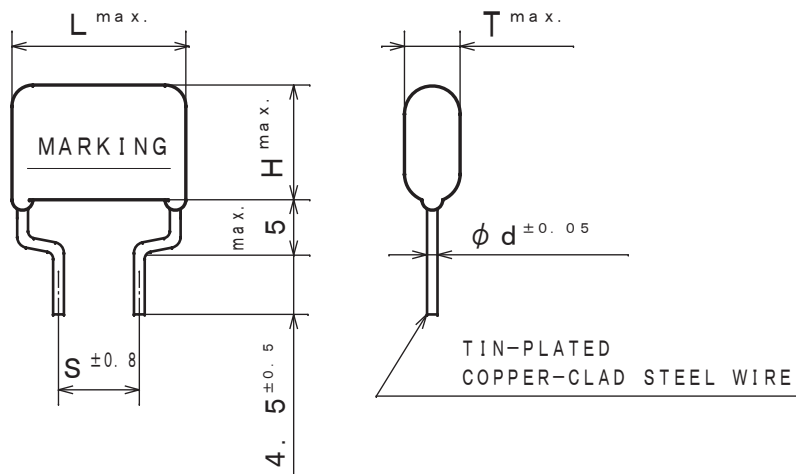
MARKING

Marking comprises capacitance, capacitance tolerance, rated voltage, type name "WFD" and manufacturer's date code.

PROPERTIES

Capacitance : See table at 1kHz
 Capacitance tolerance : \pm 5% (J), \pm 10% (K) at 1kHz.
 Rated voltage : 630VDC (Derating of rated voltage by 1.0%/°C at more than 85°C)
 Withstand voltage : 630VDC \times 150% for 60s
 Insulation resistance : \geq 9000M Ω (C \leq 0.33 μ F) at 500VDC, 20°C for 60s
 : \geq 3000M Ω · μ F (C>0.33 μ F) at 500VDC, 20°C for 60s
 Dissipation factor : \leq 0.1% at 1kHz, 20°C
 Category temperature range : From -40°C to +105°C
 (including temperature rise on unit surface)

THIRD ANGLE PROJECTION



PACKING QUANTITY

Capacitance range (μF)	Quantity (pcs.)
1.0	1200

QUANTITY of MINIMUM ORDER

Capacitance range (μF)	Quantity (pcs.)
1.0	1000

ALTERATION

ISSUE	DESCRIPTION	DATE
1	Company name changed	Apr. 1 2022

SPECIFICATIONS No.

(example)

WFD 2 J

105 J

date code

ITEM CODE	RATED VOLTAGE	CAP. (μF)	DIMENSIONS					VOLUME (mm ³)
			L	T	H	S	d	
ECWFD 2J105**	630VDC	1.0	17.8	11.2	16.1	7.5	0.8	2742

PB=±5% (J)
QB=±10% (K)

CONSTRUCTION

The capacitor is of non-inductive construction, wound with metallized polypropylene film dielectric.

The capacitor is enclosed in non-combustible epoxy resin and has two leads.

MARKING

Marking comprises capacitance, capacitance tolerance, rated voltage and date code.

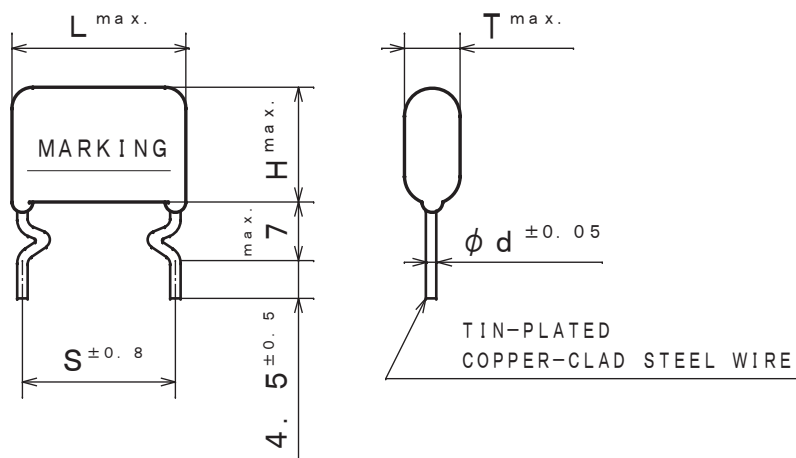
PROPERTIES

- *Capacitance : See table at 1kHz.
- *Capacitance tolerance : ±5% (J), ±10% (K) at 1kHz.
- *Rated voltage : 630VDC
(Derating of rated voltage by 1.0%/°C at more than 85°C)
- *Withstand voltage (terminal-terminal) : 630VDC×150% for 60s
- *Insulation resistance : ≥3,000MΩ·μF at 500VDC, 20°C for 60s
- *Dissipation factor : ≤0.1% at 1kHz, 20°C
- *Category temperature range : From -40°C to +105°C
(including temperature rise on unit surface)

DESIGN	M. MEKADA
CHECKED	H. YOSIIDA
APPROVAL	T. KATO
ESTABLISHMENT	Jan. 18. 2017
TYPE NAME	ECWFD 2J***PB ECWFD 2J***QB
NAME	Metallized Polypropylene Film Capacitor
DRAWING NAME	PRODUCT DRAWING
DRAWING No.	G019J-J-E (1/1)

Film Capacitor Business Unit
Device Solutions Business Division
Panasonic Industry Co., Ltd.

THIRD ANGLE PROJECTION



PACKING QUANTITY

Capacitance range (μF)	Quantity (pcs.)
1.0	1200

QUANTITY of MINIMUM ORDER

Capacitance range (μF)	Quantity (pcs.)
1.0	1000

ALTERATION

ISSUE	DESCRIPTION	DATE
1	Company name changed	Apr. 1 2022

SPECIFICATIONS No.

(example)

WFD 2 J

105 J

date code

ITEM CODE	RATED VOLTAGE	CAP. (μF)	DIMENSIONS					VOLUME (mm ³)
			L	T	H	S	d	
ECWFD 2J105**	630VDC	1.0	17.8	11.2	16.1	15.0	0.8	2742

↑ PQ=±5% (J)
↑ QQ=±10% (K)

CONSTRUCTION

The capacitor is of non-inductive construction, wound with metallized polypropylene film dielectric.

The capacitor is enclosed in non-combustible epoxy resin and has two leads.

MARKING

Marking comprises capacitance, capacitance tolerance, rated voltage and date code.

PROPERTIES

- *Capacitance : See table at 1kHz.
- *Capacitance tolerance : ±5% (J), ±10% (K) at 1kHz.
- *Rated voltage : 630VDC
(Derating of rated voltage by 1.0%/°C at more than 85°C)
- *Withstand voltage (terminal-terminal) : 630VDC×150% for 60s
- *Insulation resistance : ≥3,000MΩ·μF at 500VDC, 20°C for 60s
- *Dissipation factor : ≤0.1% at 1kHz, 20°C
- *Category temperature range : From -40°C to +105°C
(including temperature rise on unit surface)

DESIGN	M. MEKADA
CHECKER	H. YOSHIDA
APPROVAL	T. KATO
ESTABLISHMENT	Jan. 18. 2017
TYPE NAME	ECWFD 2J***PQ ECWFD 2J***QQ
NAME	Metallized Polypropylene Film Capacitor
DRAWING NAME	PRODUCT DRAWING
DRAWING No.	G020J-J-E (1/1)

Film Capacitor Business Unit
Device Solutions Business Division
Panasonic Industry Co., Ltd.