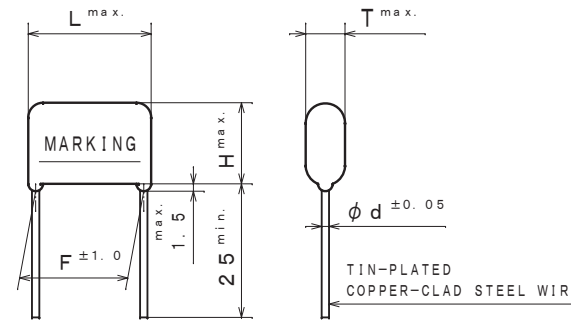


ITEM CODE	CAPACITANCE μF (*)	DIMENSIONS					VOLUME (mm ³)
		L	T	H	F	d	
ECWFD2J274 ()	0.27 (274)	17.8	6.0	11.0	15.0	0.8	1042
" 2J334 ()	0.33 (334)	"	6.6	11.5	"	"	1189
" 2J394 ()	0.39 (394)	"	7.1	12.0	"	"	1334
" 2J474 ()	0.47 (474)	"	7.8	12.7	"	"	1524
" 2J564 ()	0.56 (564)	"	8.4	13.3	"	"	1736
" 2J684 ()	0.68 (684)	"	9.3	14.2	"	"	2014
" 2J824 ()	0.82 (824)	"	10.2	15.1	"	"	2335
" 2J105 ()	1.0 (105)	25.3	8.4	13.5	22.5	"	2498
" 2J125 ()	1.2 (125)	"	9.2	14.3	"	"	2868
" 2J155 ()	1.5 (155)	"	10.3	15.5	"	"	3467
" 2J185 ()	1.8 (185)	"	11.2	16.5	"	"	4011
" 2J225 ()	2.2 (225)	"	12.4	17.7	"	"	4728
" 2J275 ()	2.7 (275)	"	13.8	19.2	"	"	5681
" 2J335 ()	3.3 (335)	"	15.3	20.7	"	"	6737
" 2J395 ()	3.9 (395)	"	16.6	22.1	"	"	7782
" 2J475 ()	4.7 (475)	"	18.3	23.9	"	"	9255

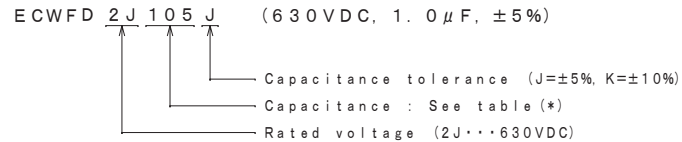


*F: regulation of the root

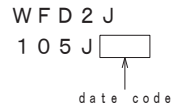
ALTERATION		
ISSUE	DESCRIPTION	DATE
△	Company name changed	Apr. 1 2022

SPECIFICATIONS No.

ITEM CODE NUMBER STRUCTURE



MARKING EXAMPLE



PACKING QUANTITY

Capacitance range (μF)	Quantity (pcs.)
0.27 ~ 0.33	1600
0.39 ~ 0.47	1400
0.56 ~ 0.68	1200
0.82 ~ 1.2	1000
1.5 ~ 1.8	800
2.2	600
2.7	500
3.3 ~ 3.9	400
4.7	300

CONSTRUCTION

The capacitor is of non-inductive construction, wound with metallized polypropylene film dielectric.
The capacitor is enclosed in non-combustible epoxy resin and has two leads.

MARKING

Marking comprises capacitance, capacitance tolerance, rated voltage, type name "WFD" and manufacturer's date code.

PROPERTIES

Capacitance : See table at 1kHz
 Capacitance tolerance : ±5% (J), ±10% (K) at 1kHz.
 Rated voltage : 630VDC (Derating of rated voltage by 1.0%/°C at more than 85°C)
 Withstand voltage : 630VDC×150% for 60s
 Insulation resistance : ≥9000MΩ (C≤0.33μF) at 500VDC, 20°C for 60s
 : ≥3000MΩ·μF (C>0.33μF) at 500VDC, 20°C for 60s
 Dissipation factor : ≤0.1% at 1kHz, 20°C
 Category temperature range : From -40°C to +105°C
 (including temperature rise on unit surface)

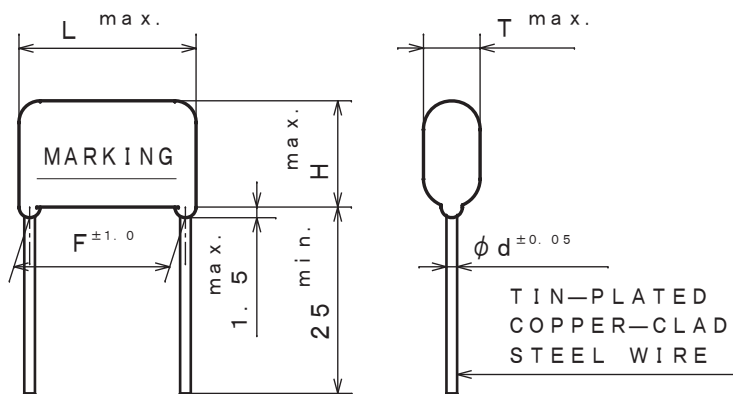
QUANTITY of MINIMUM ORDER

Capacitance range (μF)	Quantity (pcs.)
0.27 ~ 1.2	1000
1.5 ~ 1.8	800
2.2	600
2.7	500
3.3 ~ 3.9	400
4.7	300

DESIGN	M. MEKADA
CHECKED	T. KATO
APPROVAL	T. KATO
ESTABLISHMENT	Jan. 18. 2017
TYPE NAME	
ECWFD2J*** ()	
NAME Metallized Polypropylene Film Capacitor	
DRAWING NAME	
PRODUCT DRAWING	
DRAWING No.	
G001J-J-E (1/1)	

Film Capacitor Business Unit
Device Solutions Business Division
Panasonic Industry Co., Ltd.

THIRD ANGLE PROJECTION



· F: regulation of the root

PACKING QUANTITY

Capacitance range (μF)	Quantity (pcs.)
1.0	1000

QUANTITY of MINIMUM ORDER

Capacitance range (μF)	Quantity (pcs.)
1.0	1000

ALTERATION

ISSUE	DESCRIPTION	DATE
1	Company name changed	Apr. 1 2022

SPECIFICATIONS No.

(example)

WFD 2 J

105 J

date code

ITEM CODE	RATED VOLTAGE	CAP. (μF)	DIMENSIONS					VOLUME (mm^3)
			L	T	H	F	d	
ECWFD 2J105**	630VDC	1.0	17.8	11.2	16.1	15.0	0.8	2742

↑ P1=±5% (J)
Q1=±10% (K)

CONSTRUCTION

The capacitor is of non-inductive construction, wound with metallized polypropylene film dielectric.

The capacitor is enclosed in non-combustible epoxy resin and has two leads.

MARKING

Marking comprises capacitance, capacitance tolerance, rated voltage and date code.

PROPERTIES

- *Capacitance : See table at 1kHz.
- *Capacitance tolerance : ±5% (J), ±10% (K) at 1kHz.
- *Rated voltage : 630VDC
(Derating of rated voltage by 1.0%/°C at more than 85°C)
- *Withstand voltage (terminal-terminal) : 630VDC×150% for 60s
- *Insulation resistance : ≥3,000MΩ·μF at 500VDC, 20°C for 60s
- *Dissipation factor : ≤0.1% at 1kHz, 20°C
- *Category temperature range : From -40°C to +105°C
(including temperature rise on unit surface)

DESIGN	M. MEKADA
CHECKED	T. KATO
APPROVAL	T. KATO
ESTABLISHMENT	Jan. 18, 2017
TYPE NAME	ECWFD 2J***P1 ECWFD 2J***Q1
NAME	Metallized Polypropylene Film Capacitor
DRAWING NAME	PRODUCT DRAWING
DRAWING No.	G017J-J-E (1/1)

Film Capacitor Business Unit
Device Solutions Business Division
Panasonic Industry Co., Ltd.