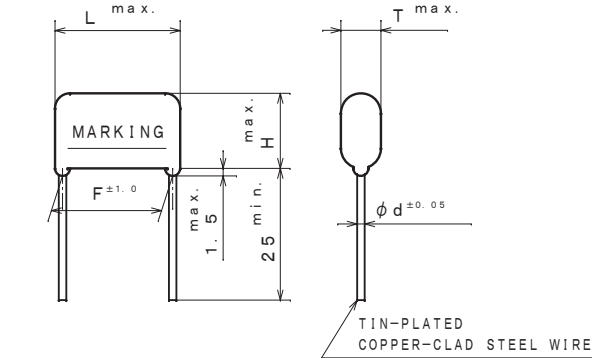
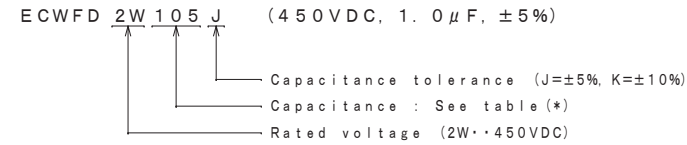


ISSUE	DESCRIPTION	DATE
△	Company name changed Correction	Apr. 1 2012
△	Change: category temperature range (+105°C~+110°C) Derating of rated voltage (1.25%/°C~0.62%/°C)	Jul. 9 2012
△	Addition Capacitance (275~475)	Nov. 22 2012
△	Company name changed	Apr. 1 2013
△	Company name changed	Apr. 1 2015
△	Company name changed	Apr. 1 2022

SPECIFICATIONS No.

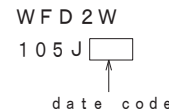
ITEM CODE	CAPACITANCE		DIMENSIONS					VOLUME (mm ³)
	μF	(*)	L	T	H	F	d	
ECWFD2W474 ()	0.47	(474)	17.5	5.8	9.0	15.0	0.8	787
" 2W564 ()	0.56	(564)	"	6.2	9.4	"	"	874
" 2W684 ()	0.68	(684)	"	6.7	9.9	"	"	987
" 2W824 ()	0.82	(824)	"	7.2	10.4	"	"	1116
" 2W105 ()	1.0	(105)	"	7.8	11.0	"	"	1279
" 2W125 ()	1.2	(125)	"	8.5	11.6	"	"	1457
" 2W155 ()	1.5	(155)	"	9.3	12.5	"	"	1718
" 2W185 ()	1.8	(185)	"	10.1	13.3	"	"	1975
" 2W225 ()	2.2	(225)	"	11.1	14.3	"	"	2313
" 2W275 ()	2.7	(275)	25.3	9.0	13.7	22.5	"	2674
" 2W335 ()	3.3	(335)	"	9.8	14.6	"	"	3113
" 2W395 ()	3.9	(395)	"	10.7	15.4	"	"	3546
" 2W475 ()	4.7	(475)	"	11.7	16.4	"	"	4116

ITEM CODE NUMBER STRUCTURE



·F: regulation of the root

MARKING EXAMPLE



PACKING QUANTITY

Capacitance range (μF)	Quantity (pcs.)
0.47~0.56	2200
0.68	2000
0.82~1.0	1600
1.2	1400
1.5~1.8	1200
△ 2.2~2.7	1000
△ 3.3~3.9	800
△ 4.7	600

QUANTITY of MINIMUM ORDER

Capacitance range (μF)	Quantity (pcs.)
△ 0.47~2.7	1000
△ 3.3~3.9	800
△ 4.7	600

CONSTRUCTION

The capacitor is of non-inductive construction, wound with metallized polypropylene film dielectric.
The capacitor is enclosed in non-combustible epoxy resin and has two leads.

MARKING

Marking comprises capacitance, capacitance tolerance, rated voltage and date code.

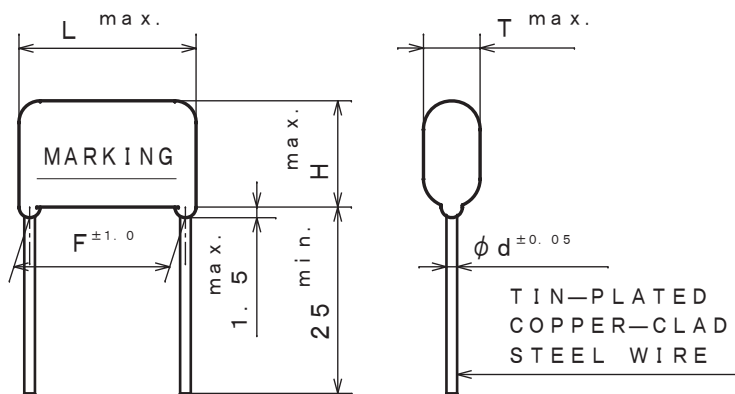
PROPERTIES

- *Capacitance : See table at 1kHz.
- *Capacitance tolerance : ±5% (J), ±10% (K) at 1kHz.
- *Rated voltage : 450VDC
△ (Derating of rated voltage by 0.62%/°C at more than 85°C)
- *Withstand voltage (terminal-terminal) : 450VDC×150% for 60s
- *Insulation resistance : ≥10000MΩ·μF at 100VDC, 20°C for 60s
- *Dissipation factor : ≤0.1% at 1kHz, 20°C
- *Category temperature range : △ From -40°C to +110°C
(including temperature rise on unit surface)

DESIGN	M. MEKADA
CHECKED	H. YAMADA
APPROVAL	T. KATO
ESTABLISHMENT	Feb. 27, 2012
TYPE NAME	
ECWFD2W*** ()	
NAME Metallized Polypropylene Film Capacitor	
DRAWING NAME	
PRODUCT DRAWING	
DRAWING No.	
B019J-J-E (1/1)	

Film Capacitor Business Unit
Device Solutions Business Division
Panasonic Industry Co., Ltd.

THIRD ANGLE PROJECTION



· F: regulation of the root

PACKING QUANTITY

Capacitance range (μF)	Quantity (pcs.)
0.47	4000
0.68	2000
1.0	1400

QUANTITY of MINIMUM ORDER

Capacitance range (μF)	Quantity (pcs.)
0.47~1.0	1000

ALTERATION

ISSUE	DESCRIPTION	DATE
△1	Company name changed	Apr. 1 2013
△2	Addition Capacitance (684, 105)	Sep. 26 2013
△3	Company name changed	Apr. 1 2015
△4	Error correction (Delete Tol. in table)	Nov. 8 2016
△5	Company name changed	Apr. 1 2022

SPECIFICATIONS No.

(example)

WFD 2W

474 J

date code

ITEM CODE	RATED VOLTAGE	CAP. (μF)	DIMENSIONS					VOLUME (mm ³)
			L	T	H	F	d	
ECWFD 2W474**	450VDC	0.47	12.6	6.5	11.2	10.0	0.6	806
" 2W684**	"	0.68	"	7.7	12.4	"	"	1040
" 2W105**	"	1.0	"	9.2	13.9	"	"	1386

P1=±5% (J)
Q1=±10% (K)

CONSTRUCTION

The capacitor is of non-inductive construction, wound with metallized polypropylene film dielectric.

The capacitor is enclosed in non-combustible epoxy resin and has two leads.

MARKING

Marking comprises capacitance, capacitance tolerance, rated voltage and date code.

PROPERTIES

- *Capacitance : See table at 1kHz.
- *Capacitance tolerance : ±5% (J), ±10% (K) at 1kHz.
- *Rated voltage : 450VDC
(Derating of rated voltage by 0.62%/°C at more than 85°C)
- *Withstand voltage (terminal-terminal) : 450VDC×150% for 60s
- *Insulation resistance : ≥10000MΩ·μF at 100VDC, 20°C for 60s
- *Dissipation factor : ≤0.1% at 1kHz, 20°C
- *Category temperature range : From -40°C to +110°C
(including temperature rise on unit surface)

DESIGN	M. MEKADA
CHECKED	H. YOSHIDA
APPROVAL	T. KATO
ESTABLISHMENT	Jan. 10. 2013
TYPE NAME	ECWFD 2W***P1 ECWFD 2W***Q1
NAME	Metallized Polypropylene Film Capacitor
DRAWING NAME	PRODUCT DRAWING
DRAWING No.	B089J-J-E (1/1)

Film Capacitor Business Unit
Device Solutions Business Division
Panasonic Industry Co., Ltd.