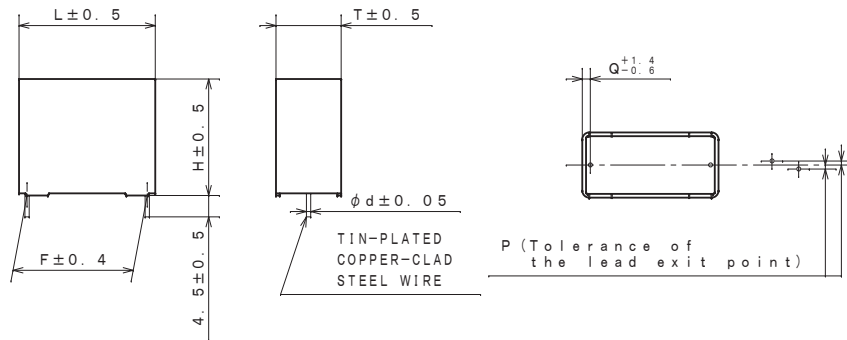


ITEM CODE	CAPACITANCE		DIMENSIONS							VOLUME (mm <sup>3</sup> )	Note
	$\mu F$	(*)	L	T	H	F	d	P	Q		
ECWFE2J104 () A	0.10	(104)	17.5	5.0	10.5	15.0	0.6	0±0.8	1.25	919	
" 2J154 () A	0.15	(154)	"	6.0	11.5	"	"	"	"	1208	
" 2J224 () A	0.22	(224)	"	7.0	12.5	"	"	"	"	1531	
" 2J334 () A	0.33	(334)	"	8.5	14.5	"	"	"	"	2157	*
" 2J474 () A	0.47	(474)	"	10.0	15.5	"	"	"	"	2713	*
" 2J684 () A	0.68	(684)	"	11.0	17.5	"	"	"	"	3369	*
" 2J105 () A	1.0	(105)	26.0	10.0	17.0	22.5	0.8	"	1.75	4420	*
" 2J155 () A	1.5	(155)	"	12.0	19.0	"	"	"	"	5928	*
" 2J225 () A	2.2	(225)	"	16.0	23.0	"	"	"	"	9568	*

Note

\*The specimen (the volume is more than 1750mm<sup>3</sup>) shall be satisfied with IEC60384-1 Inflammability Category B based on IEC60065, 1998~



·F: regulation of the root

CONSTRUCTION

The capacitor is of non-inductive construction, wound with metallized polypropylene film dielectric. The capacitor is enclosed in non-combustible polybutylene telephthalate case, filled with non-combustible epoxy resin and has two leads.

MARKING

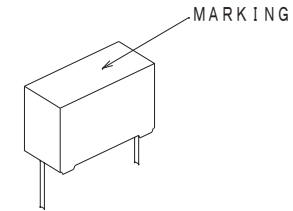
Marking comprises capacitance, capacitance tolerance, rated voltage and date code.

PROPERTIES

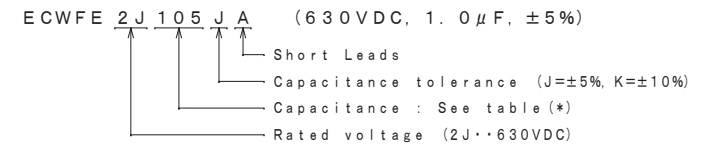
- \*Capacitance : See table at 1kHz.
- \*Capacitance tolerance : ±5% (J), ±10% (K) at 1kHz.
- \*Rated voltage : 630VDC  
(Derating of rated voltage by 1.0%/°C at more than 85°C)
- \*Withstand voltage (terminal-terminal) : 630VDC×150% for 60s
- \*Insulation resistance : ≥9000MΩ (C≤0.33μF) at 500VDC, 20°C for 60s  
: ≥3000MΩ·μF (C>0.33μF) at 500VDC, 20°C for 60s
- \*Dissipation factor : ≤0.1% at 1kHz, 20°C
- \*Category temperature range : From -40°C to +105°C  
(including temperature rise on unit surface)

MARKING EXAMPLE

WFE 2 J  
105 J     
↑  
date code



ITEM CODE NUMBER STRUCTURE



PACKING QUANTITY

Capacitance range (μF)	Quantity (pcs.)
0.1 ~ 0.22	1300
0.33	800
0.47 ~ 0.68	600
1.0	300
1.5 ~ 2.2	200

QUANTITY of MINIMUM ORDER

Capacitance range (μF)	Quantity (pcs.)
0.1 ~ 0.22	1000
0.33	800
0.47 ~ 0.68	600
1.0	300
1.5 ~ 2.2	200

ALTERATION

ISSUE	DESCRIPTION	DATE
△	Company name changed	Apr. 1 2022

SPECIFICATIONS No.

DESIGN	M. MEKABA
CHECKED	H. Y. N. I. D.
APPROVAL	T. KATO
ESTABLISHMENT	Oct. 15, 2015
TYPE NAME	
ECWFE2J*** () A	
NAME Metallized Polypropylene Film Capacitor	
DRAWING NAME	
PRODUCT DRAWING	
DRAWING No.	
E013J-J-E (1/1)	

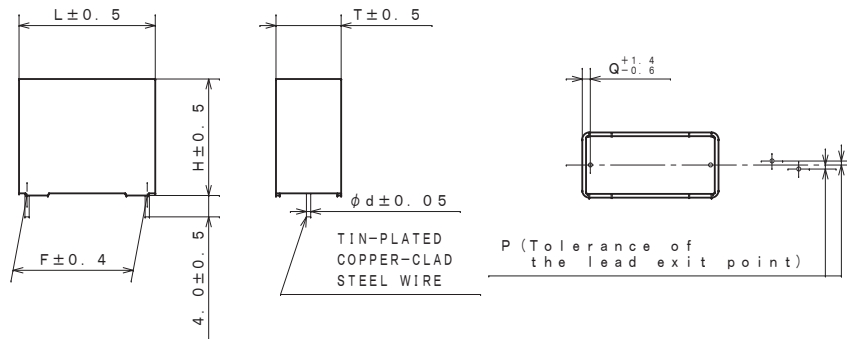
Film Capacitor Business Unit  
Device Solutions Business Division  
Panasonic Industry Co., Ltd.

ITEM CODE	CAPACITANCE μF ( * )	DIMENSIONS								VOLUME (mm <sup>3</sup> )	Note
		L	T	H	F	d	P	Q			
ECWFE2J104**	0.10 (104)	26.0	6.0	13.0	22.5	0.8	0±0.8	1.75	2028	*	
" 2J154**	0.15 (154)	"	"	"	"	"	"	"	2028	*	
" 2J224**	0.22 (224)	"	"	"	"	"	"	"	2028	*	
" 2J334**	0.33 (334)	"	7.0	14.0	"	"	"	"	2548	*	
" 2J474**	0.47 (474)	"	8.0	15.0	"	"	"	"	3120	*	
△ " 2J105**	1.0 (105)	31.0	9.0	19.0	27.5	"	"	"	5301	*	
△ " 2J155**	1.5 (155)	"	11.0	21.0	"	"	"	"	7161	*	
△ " 2J225**	2.2 (225)	"	13.0	23.0	"	"	"	"	9269	*	

PD=±5% (J)  
QD=±10% (K)

Note

\*The specimen (the volume is more than 1750mm<sup>3</sup>) shall be satisfied with IEC60384-1 Inflammability Category B based on IEC60065, 1998~



·F: regulation of the root

CONSTRUCTION

The capacitor is of non-inductive construction, wound with metallized polypropylene film dielectric. The capacitor is enclosed in non-combustible polybutylene terephthalate case, filled with non-combustible epoxy resin and has two leads.

MARKING

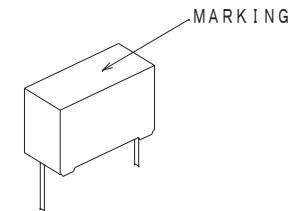
Marking comprises capacitance, capacitance tolerance, rated voltage and date code.

PROPERTIES

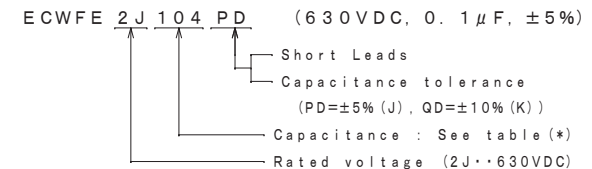
- \*Capacitance : See table at 1kHz.
- \*Capacitance tolerance : ±5% (J), ±10% (K) at 1kHz.
- \*Rated voltage : 630VDC  
(Derating of rated voltage by 1.0%/°C at more than 85°C)
- \*Withstand voltage (terminal-terminal) : 630VDC×150% for 60s
- \*Insulation resistance : ≥9000MΩ (C≤0.33μF) at 500VDC, 20°C for 60s  
: ≥3000MΩ·μF (C>0.33μF) at 500VDC, 20°C for 60s
- \*Dissipation factor : ≤0.1% at 1kHz, 20°C
- \*Category temperature range : From -40°C to +105°C  
(including temperature rise on unit surface)

MARKING EXAMPLE

WFE 2 J  
104 J     
↑  
date code



ITEM CODE NUMBER STRUCTURE



PACKING QUANTITY

Capacitance range (μF)	Quantity (pcs.)
0.1 ~ 0.22	700
0.33	500
0.47	400
△ 1.0	300
△ 1.5 ~ 2.2	200

QUANTITY of MINIMUM ORDER

Capacitance range (μF)	Quantity (pcs.)
0.1 ~ 0.22	700
0.33	500
0.47	400
△ 1.0	300
△ 1.5 ~ 2.2	200

ALTERATION

ISSUE	DESCRIPTION	DATE
△	Addition (105~225)	Feb. 12 2019
△	Company name changed	Apr. 1 2022

SPECIFICATIONS No.

DESIGN	M. MEKADA
CHECKED	T. KATO
APPROVAL	T. KATO
ESTABLISHMENT	Jan. 30. 2019
TYPE NAME	
ECWFE2J***PD	
ECWFE2J***QD	
NAME Metallized Polypropylene Film Capacitor	
DRAWING NAME	
PRODUCT DRAWING	
DRAWING No.	
J004J-J-E (1/1)	

Film Capacitor Business Unit  
Device Solutions Business Division  
Panasonic Industry Co., Ltd.