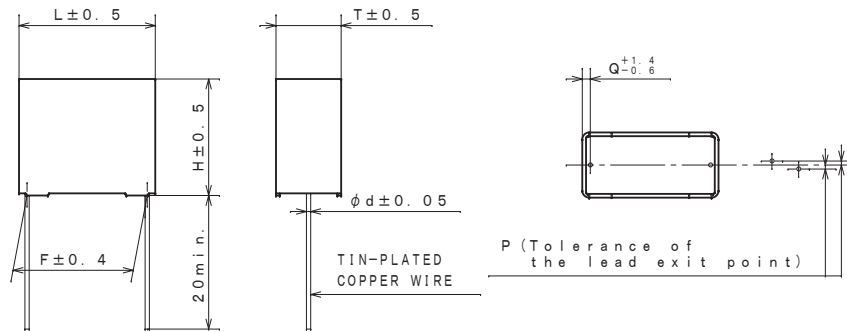


ITEM CODE	CAPACITANCE		DIMENSIONS							VOLUME (mm ³)	Note
	μF	(*)	L	T	H	F	d	P	Q		
ECWFG1B105 ()	1.0	(105)	31.5	10.5	21.0	27.5	0.8	0±1.0	2.0	6946	*
" 1B155 ()	1.5	(155)	"	12.0	24.5	"	"	"	"	9261	*
" 1B205 ()	2.0	(205)	"	"	"	"	"	"	"	"	*
" 1B225 ()	2.2	(225)	"	13.5	28.5	"	"	"	"	12120	*
" 1B305 ()	3.0	(305)	"	16.0	29.5	"	"	"	"	14868	*
" 1B335 ()	3.3	(335)	"	"	"	"	"	"	"	"	*
" 1B405 ()	4.0	(405)	"	17.5	32.5	"	"	"	"	17916	*
" 1B475 ()	4.7	(475)	"	18.5	35.0	"	"	"	"	20396	*
" 1B505 ()	5.0	(505)	"	"	"	"	"	"	"	"	*

Note

*The specimen (the volume is more than 1750mm³) shall be satisfied with IEC60384-1 Inflammability Category B based on IEC60065, 1998~



·F: regulation of the root

CONSTRUCTION

The capacitor is of non-inductive construction, wound with metallized polypropylene film dielectric. The capacitor is enclosed in non-combustible polybutylene telephthalate case, filled with non-combustible epoxy resin and has two leads.

MARKING

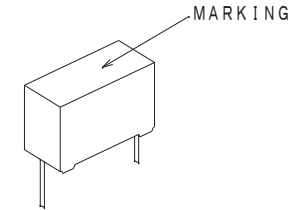
Marking comprises capacitance, capacitance tolerance, rated voltage and date code.

PROPERTIES

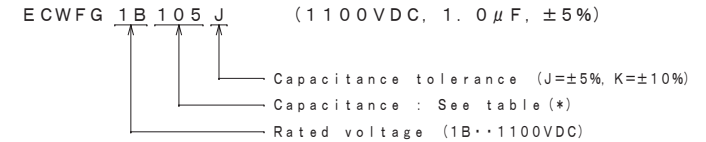
- *Capacitance : See table at 1kHz.
- *Capacitance tolerance : ±5% (J), ±10% (K) at 1kHz.
- *Rated voltage : 1100VDC
(Derating of rated voltage by 1.0%/°C at more than 85°C)
- *Withstand voltage (terminal-terminal) : 1100VDC×150% for 60s
- *Insulation resistance : ≥3000MΩ·μF at 500VDC, 20°C for 60s
- *Dissipation factor : ≤0.1% at 1kHz, 20°C
- *Category temperature range : From -40°C to +110°C
(including temperature rise on unit surface)

MARKING EXAMPLE

WFG 105 J
1B []
↑
date code



ITEM CODE NUMBER STRUCTURE



PACKING QUANTITY

Capacitance range (μF)	Quantity (pcs.)
1.0	300
1.5~2.0	200
2.2~3.3	150
4.0~5.0	100

QUANTITY of MINIMUM ORDER

Capacitance range (μF)	Quantity (pcs.)
1.0	300
1.5~2.0	200
2.2~3.3	150
4.0~5.0	100

ALTERATION		
ISSUE	DESCRIPTION	DATE
△	Company name changed	Apr. 1 2022
SPECIFICATIONS No.		

DESIGN	M. MEKADA
CHECK	H. YAMADA
APPROVAL	T. KATO
ESTABLISHMENT	May. 7. 2019
TYPE NAME	
ECWFG 1B*** ()	
NAME Metallized Polypropylene Film Capacitor	
DRAWING NAME	
PRODUCT DRAWING	
DRAWING No.	
J008J-J-E (1/1)	

Film Capacitor Business Unit
Device Solutions Business Division
Panasonic Industry Co., Ltd.