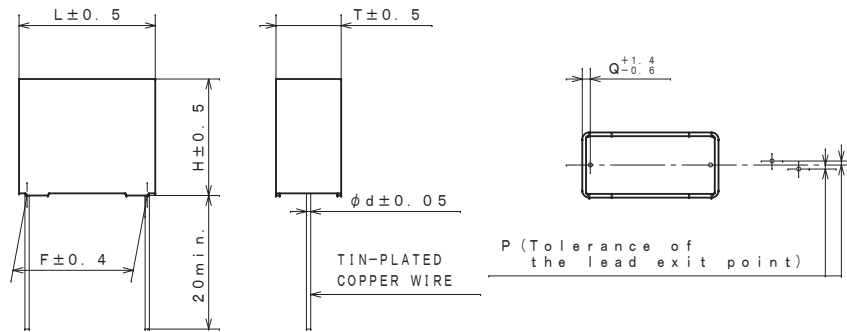


ITEM CODE	CAPACITANCE		DIMENSIONS							VOLUME (mm ³)	Note
	μF	(*)	L	T	H	F	d	P	Q		
ECWFG2J105 ()	1.0	(105)	31.5	9.5	18.0	27.5	1.0	0±0.8	2.0	5387	*
" 2J155 ()	1.5	(155)	"	10.5	21.0	"	"	"	"	6946	*
" 2J225 ()	2.2	(225)	"	12.0	24.5	"	"	"	"	9261	*
" 2J305 ()	3.0	(305)	"	13.5	28.5	"	"	"	"	12120	*
" 2J475 ()	4.7	(475)	"	17.5	32.5	"	"	"	"	17916	*

Note

*The specimen (the volume is more than 1750mm³) shall be satisfied with IEC60384-1 Inflammability Category B based on IEC60065, 1998~



·F: regulation of the root

CONSTRUCTION

The capacitor is of non-inductive construction, wound with metallized polypropylene film dielectric. The capacitor is enclosed in non-combustible polybutylene telephthalate case, filled with non-combustible epoxy resin and has two leads.

MARKING

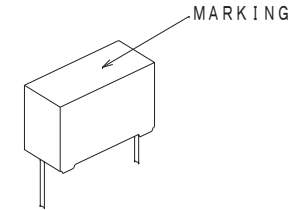
Marking comprises capacitance, capacitance tolerance, rated voltage and date code.

PROPERTIES

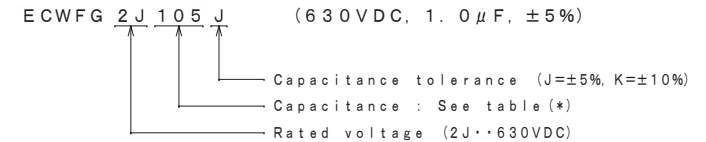
- *Capacitance : See table at 1kHz.
- *Capacitance tolerance : ±5% (J), ±10% (K) at 1kHz.
- *Rated voltage : 630VDC
(Derating of rated voltage by 1.0%/°C at more than 85°C)
- *Withstand voltage (terminal-terminal) : 630VDC×150% for 60s
- *Insulation resistance : ≥3000MΩ·μF at 500VDC, 20°C for 60s
- *Dissipation factor : ≤0.1% at 1kHz, 20°C
- *Category temperature range : From -40°C to +110°C
(including temperature rise on unit surface)

MARKING EXAMPLE

WFG 105 J
2 J
↑
date code



ITEM CODE NUMBER STRUCTURE



PACKING QUANTITY

Capacitance range (μF)	Quantity (pcs.)
1.0	400
1.5	300
2.2	200
3.0	150
4.7	100

QUANTITY of MINIMUM ORDER

Capacitance range (μF)	Quantity (pcs.)
1.0	400
1.5	300
2.2	200
3.0	150
4.7	100

ALTERATION

ISSUE	DESCRIPTION	DATE
△	Company name changed	Apr. 1 2022

SPECIFICATIONS No.

DESIGN	M. MEKADA
CHECKED	H. YAMAMOTO
APPROVAL	T. KATO
ESTABLISHMENT	Mar. 29, 2018
TYPE NAME	
ECWFG 2J*** ()	
NAME Metallized Polypropylene Film Capacitor	
DRAWING NAME	
PRODUCT DRAWING	
DRAWING No.	
H004J-J-E (1/1)	

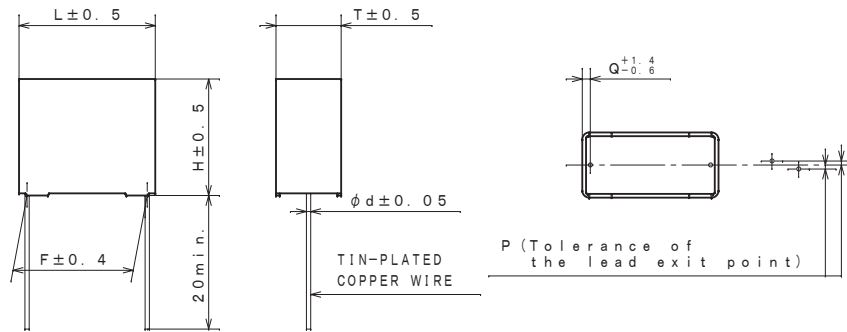
Film Capacitor Business Unit
Device Solutions Business Division
Panasonic Industry Co., Ltd.

ITEM CODE	CAPACITANCE		DIMENSIONS							VOLUME (mm ³)	Note
	μF	(*)	L	T	H	F	d	P	Q		
ECWFG2J105**	1.0	(105)	27.0	10.5	19.0	22.5	1.0	0±0.8	2.25	5387	*
" 2J155**	1.5	(155)	"	12.0	21.0	"	"	"	"	6804	*
" 2J225**	2.2	(225)	"	15.5	24.0	"	"	"	"	10044	*
" 2J305**	3.0	(305)	"	17.5	26.5	"	"	"	"	12521	*

P1=±5% (J)
Q1=±10% (K)

Note

*The specimen (the volume is more than 1750mm³) shall be satisfied with IEC60384-1 Inflammability Category B based on IEC60065, 1998~



·F: regulation of the root

CONSTRUCTION

The capacitor is of non-inductive construction, wound with metallized polypropylene film dielectric. The capacitor is enclosed in non-combustible polybutylene telephthalate case, filled with non-combustible epoxy resin and has two leads.

MARKING

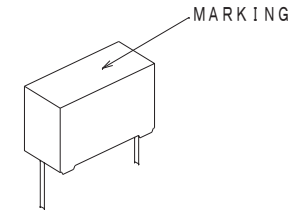
Marking comprises capacitance, capacitance tolerance, rated voltage and date code.

PROPERTIES

- *Capacitance : See table at 1kHz.
- *Capacitance tolerance : ±5% (J), ±10% (K) at 1kHz.
- *Rated voltage : 630VDC
(Derating of rated voltage by 1.0%/°C at more than 85°C)
- *Withstand voltage (terminal-terminal) : 630VDC×150% for 60s
- *Insulation resistance : ≥3000MΩ·μF at 500VDC, 20°C for 60s
- *Dissipation factor : ≤0.1% at 1kHz, 20°C
- *Category temperature range : From -40°C to +110°C
(including temperature rise on unit surface)

MARKING EXAMPLE

WFG 105 J
2 J
↑
date code



ITEM CODE NUMBER STRUCTURE

ECWFG 2J 105 P1 (630VDC, 1.0μF, ±5%)
 ↑ ↑ ↑
 Rated voltage (2J·630VDC)
 Capacitance : See table (*)
 (P1=±5% (J), Q1=±10% (K))
 Capacitance tolerance

PACKING QUANTITY

Capacitance range (μF)	Quantity (pcs.)
1.0	400
1.5	300
2.2	200
3.0	150

QUANTITY of MINIMUM ORDER

Capacitance range (μF)	Quantity (pcs.)
1.0	400
1.5	300
2.2	200
3.0	150

ALTERATION

ISSUE	DESCRIPTION	DATE
△	Company name changed	Apr. 1 2022

SPECIFICATIONS No.

DESIGN	M. MEKADA
CHECKED	T. KATO
APPROVAL	T. KATO
ESTABLISHMENT	Mar. 29, 2018
TYPE NAME	
ECWFG2J***P1	
ECWFG2J***Q1	
NAME Metallized Polypropylene Film Capacitor	
DRAWING NAME	
PRODUCT DRAWING	
DRAWING No.	
H006J-J-E (1/1)	

Film Capacitor Business Unit
Device Solutions Business Division
Panasonic Industry Co., Ltd.