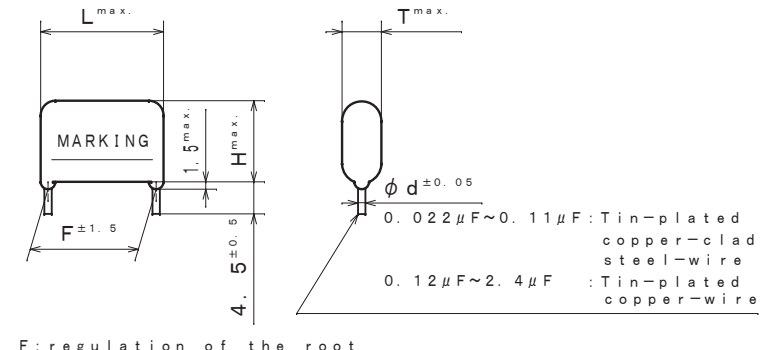
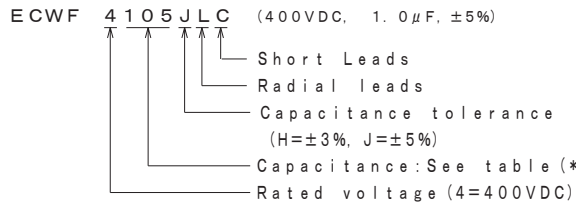


ITEM CODE	CAPACITANCE μF (*)	DIMENSIONS					MARKING STYLE	ITEM CODE	CAPACITANCE μF (*)	DIMENSIONS					MARKING STYLE
		L	T	H	F	d				L	T	H	F	d	
ECWF4223 () LC	0.022 (223)	12.5	5.8	8.6	10.0	0.6	1	ECWF4244 () LC	0.24 (244)	18.0	8.3	13.0	15.0	0.8	3
" 4243 () LC	0.024 (243)	"	6.0	8.8	"	"	"	" 4274 () LC	0.27 (274)	"	8.8	13.4	"	"	"
" 4273 () LC	0.027 (273)	"	6.2	9.0	"	"	"	" 4304 () LC	0.3 (304)	"	9.2	13.9	"	"	"
" 4303 () LC	0.03 (303)	"	6.4	9.3	"	"	"	" 4334 () LC	0.33 (334)	"	9.6	14.3	"	"	"
" 4333 () LC	0.033 (333)	"	6.7	9.5	"	"	"	" 4364 () LC	0.36 (364)	"	9.9	14.7	"	"	"
" 4363 () LC	0.036 (363)	"	5.7	8.4	"	"	"	" 4394 () LC	0.39 (394)	"	10.3	15.1	"	"	"
" 4393 () LC	0.039 (393)	"	5.8	8.6	"	"	"	" 4434 () LC	0.43 (434)	"	10.7	15.6	"	"	"
" 4433 () LC	0.043 (433)	"	6.0	8.8	"	"	"	" 4474 () LC	0.47 (474)	"	11.2	16.1	"	"	"
" 4473 () LC	0.047 (473)	"	6.2	9.0	"	"	"	" 4514 () LC	0.51 (514)	20.5	10.3	16.8	17.5	"	"
" 4513 () LC	0.051 (513)	"	6.4	9.2	"	"	"	" 4564 () LC	0.56 (564)	"	10.7	17.3	"	"	"
" 4563 () LC	0.056 (563)	"	6.6	9.4	"	"	"	" 4624 () LC	0.62 (624)	"	11.3	17.9	"	"	"
" 4623 () LC	0.062 (623)	13.0	6.8	9.6	"	0.8	"	" 4684 () LC	0.68 (684)	"	11.8	18.5	"	"	"
" 4683 () LC	0.068 (683)	"	7.0	9.9	"	"	"	" 4754 () LC	0.75 (754)	"	12.3	19.1	"	"	"
" 4753 () LC	0.075 (753)	"	7.3	10.1	"	"	"	" 4824 () LC	0.82 (824)	23.0	11.8	18.5	20.0	"	"
" 4823 () LC	0.082 (823)	"	7.5	10.4	"	"	"	" 4914 () LC	0.91 (914)	"	12.4	19.2	"	"	"
" 4913 () LC	0.091 (913)	"	7.8	10.7	"	"	"	" 4105 () LC	1.0 (105)	"	13.0	19.8	"	"	"
" 4104 () LC	0.1 (104)	15.5	6.5	11.0	12.5	"	2	" 4115 () LC	1.1 (115)	"	13.6	20.5	"	"	"
" 4114 () LC	0.11 (114)	"	6.8	11.3	"	"	"	" 4125 () LC	1.2 (125)	28.0	12.3	19.1	25.0	"	"
" 4124 () LC	0.12 (124)	"	7.0	11.5	"	"	3	" 4135 () LC	1.3 (135)	"	12.8	19.6	"	"	"
" 4134 () LC	0.13 (134)	"	7.2	11.8	"	"	"	" 4155 () LC	1.5 (155)	"	13.7	20.7	"	"	"
" 4154 () LC	0.15 (154)	"	7.6	12.2	"	"	"	" 4165 () LC	1.6 (165)	"	14.2	21.2	"	"	"
" 4164 () LC	0.16 (164)	"	7.8	12.4	"	"	"	" 4185 () LC	1.8 (185)	"	15.2	22.2	"	"	"
" 4184 () LC	0.18 (184)	"	8.2	12.8	"	"	"	" 4205 () LC	2.0 (205)	"	16.0	23.1	"	"	"
" 4204 () LC	0.2 (204)	"	8.6	13.3	"	"	"	" 4225 () LC	2.2 (225)	"	16.8	24.0	"	"	"
" 4224 () LC	0.22 (224)	"	9.0	13.6	"	"	"	" 4245 () LC	2.4 (245)	"	17.5	24.8	"	"	"

ALTERATION		
ISSUE	DESCRIPTION	DATE
△	Company name changed	Oct. 1 2004
△	Company name changed	Apr. 1 2005
△	Company name changed	Apr. 1 2006
△	Company name changed	Apr. 1 2008
△	Company name changed	Apr. 1 2012
△	Company name changed	Apr. 1 2013
△	Company name changed	Apr. 1 2015
△	Company name changed	Apr. 1 2022

SPECIFICATIONS No.

ITEM CODE NUMBER STRUCTURE



(example)

STYLE 1	STYLE 2	STYLE 3
WFL 223J 400V	WFL 104J 400V	WFL 124J 400V
date code	date code	date code

※The marking of 'WFL' with the underline means that the copper wire is used for the lead wire, while the one without the underline means that tinned copper clad-steel wire is used.

DESIGN	M. MEKADA
CHECKED	H. YAMAMOTO
APPROVAL	T. KATO
ESTABLISHMENT	Aug. 3, 2004
TYPE NAME	
ECWF 4*** () LC	
NAME METALLIZED	
POLYPROPYLENE CAPACITOR	
DRAWING NAME	
PRODUCT DRAWING	
DRAWING No.	
4096J-J-E (1/1)	

Film Capacitor Business Unit
Device Solutions Business Division
Panasonic Industry Co., Ltd.