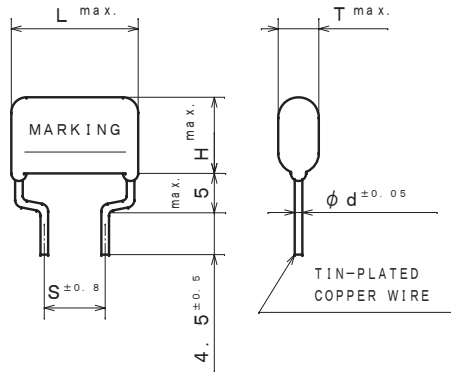


ITEM CODE	CAP. μF (*)	DIMENSIONS					VOLUME (mm ³)
		L	T	H	S	d	
ECWH8 103HAB	0. 010 (103)	15. 4	5. 4	9. 8	7. 5	0. 6	676
" 8 123HAB	0. 012 (123)	"	5. 8	10. 2	"	"	740
" 8 153HAB	0. 015 (153)	"	6. 2	10. 6	"	"	819
" 8 183HAB	0. 018 (183)	15. 7	6. 6	11. 0	"	0. 8	933
" 8 223HAB	0. 022 (223)	"	7. 1	11. 5	"	"	1044
" 8 273HAB	0. 027 (273)	"	7. 6	12. 0	"	"	1161
" 8 333HAB	0. 033 (333)	"	8. 4	12. 8	"	"	1346
" 8 393HAB	0. 039 (393)	"	8. 9	13. 3	"	"	1491
" 8 473HAB	0. 047 (473)	"	9. 7	14. 1	"	"	1715



CONSTRUCTION

The capacitor is of non-inductive construction, wound with metallized polypropylene film dielectric.

The capacitor is enclosed in non-combustible epoxy resin and has two leads.

MARKING

Marking comprises capacitance, capacitance tolerance, rated voltage, type name "WHA" and manufacturer's date code.

PROPERTIES

- *Capacitance : See table at 1kHz.
- *Capacitance tolerance : ±3% (H) at 1kHz.
- *Rated voltage : 800VDC
- *Withstand voltage (terminal-terminal) : 800VDC×150% for 60s
- *Insulation resistance : ≥30000MΩ at 500VDC, 20°C for 60s
- *Dissipation factor : ≤0.1% at 1kHz, 20°C
- *Category temperature range : From -40°C to +105°C
(including temperature rise on unit surface)

MARKING EXAMPLE

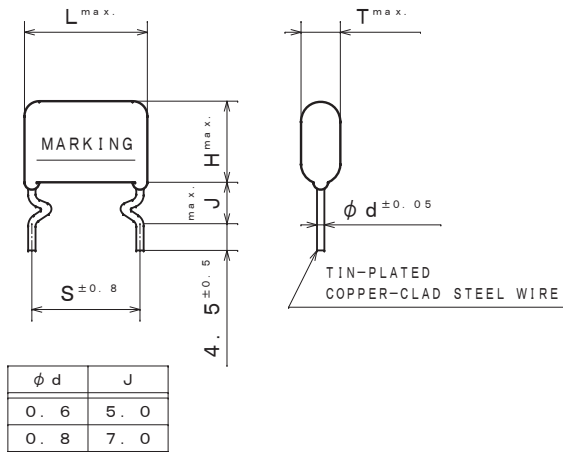
WHA 103H
800V
[]
↑
date code

ALTERATION		
ISSUE	DESCRIPTION	DATE
△	Company name changed	Apr. 1 2012
△	Company name changed	Apr. 1 2013
△	Company name changed	Apr. 1 2015
△	Company name changed	Apr. 1 2022
SPECIFICATIONS No.		

DESIGN	M. MEKADA
CHECKED	H. YAMADA
APPROVAL	T. KATO
ESTABLISHMENT	Feb. 24. 2009
TYPE NAME	
ECWH8***HAB	
NAME Metallized Polypropylene Film Capacitor	
DRAWING NAME	
PRODUCT DRAWING	
DRAWING No.	
8058J-J-E (1/1)	

Film Capacitor Business Unit
Device Solutions Business Division
Panasonic Industry Co., Ltd.

ITEM CODE	CAP. μF (*)	DIMENSIONS					VOLUME (mm ³)
		L	T	H	S	d	
ECWH8 103HAQ	0. 010 (103)	15. 4	5. 4	9. 8	12. 5	0. 6	676
" 8 123HAQ	0. 012 (123)	"	5. 8	10. 2	"	"	740
" 8 153HAQ	0. 015 (153)	"	6. 2	10. 6	"	"	819
" 8 183HAQ	0. 018 (183)	15. 7	6. 6	11. 0	"	0. 8	933
" 8 223HAQ	0. 022 (223)	"	7. 1	11. 5	"	"	1044
" 8 273HAQ	0. 027 (273)	"	7. 6	12. 0	"	"	1161
" 8 333HAQ	0. 033 (333)	"	8. 4	12. 8	"	"	1346
" 8 393HAQ	0. 039 (393)	"	8. 9	13. 3	"	"	1491
" 8 473HAQ	0. 047 (473)	"	9. 7	14. 1	"	"	1715



CONSTRUCTION

The capacitor is of non-inductive construction, wound with metallized polypropylene film dielectric.

The capacitor is enclosed in non-combustible epoxy resin and has two leads.

MARKING

Marking comprises capacitance, capacitance tolerance, rated voltage, type name "WHA" and manufacturer's date code.

PROPERTIES

- *Capacitance : See table at 1kHz.
- *Capacitance tolerance : ±3% (H) at 1kHz.
- *Rated voltage : 800VDC
- *Withstand voltage (terminal-terminal) : 800VDC×150% for 60s
- *Insulation resistance : ≥30000MΩ at 500VDC, 20°C for 60s
- *Dissipation factor : ≤0. 1% at 1kHz, 20°C
- *Category temperature range : From -40°C to +105°C
(including temperature rise on unit surface)

MARKING EXAMPLE

WHA 103H
800V

 date code

ALTERATION		
ISSUE	DESCRIPTION	DATE
△	Company name changed	Apr. 1 2012
△	Company name changed	Apr. 1 2013
△	Company name changed	Apr. 1 2015
△	Company name changed	Apr. 1 2022
SPECIFICATIONS No.		

DESIGN	M. MEKADA
CHECKED	H. YAMADA
APPROVAL	T. KATO
ESTABLISHMENT	Feb. 24. 2009
TYPE NAME	
ECWH8***HAQ	
NAME Metallized Polypropylene Film Capacitor	
DRAWING NAME	
PRODUCT DRAWING	
DRAWING No.	
8059J-J-E (1/1)	

Film Capacitor Business Unit
Device Solutions Business Division
Panasonic Industry Co., Ltd.