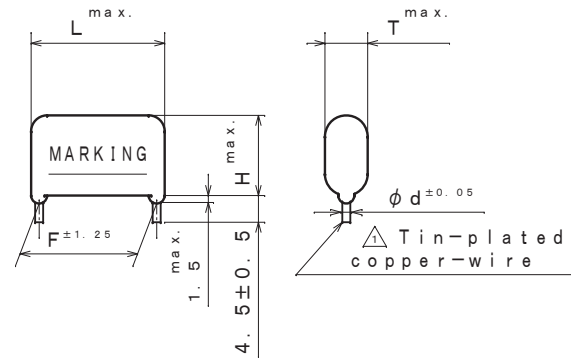
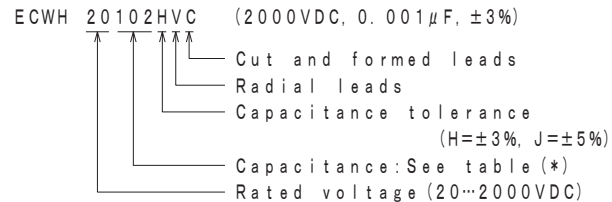


ITEM CODE	CAPACITANCE μF (*)	DIMENSIONS				
		L	T	H	F	d
ECWH 20102 () VC	0.001 (102)	18.0	6.5	13.5	15.0	0.8
" 20112 () VC	0.0011 (112)	"	"	"	"	"
" 20122 () VC	0.0012 (122)	"	7.0	"	"	"
" 20132 () VC	0.0013 (132)	"	"	14.0	"	"
" 20152 () VC	0.0015 (152)	"	7.5	"	"	"
" 20162 () VC	0.0016 (162)	"	"	14.5	"	"
" 20182 () VC	0.0018 (182)	"	8.0	"	"	"
" 20202 () VC	0.002 (202)	"	"	15.0	"	"
" 20222 () VC	0.0022 (222)	"	8.5	"	"	"
" 20242 () VC	0.0024 (242)	"	"	15.5	"	"
" 20272 () VC	0.0027 (272)	"	9.0	16.0	"	"
" 20302 () VC	0.003 (302)	"	9.5	"	"	"
" 20332 () VC	0.0033 (332)	"	8.5	15.5	"	"
" 20362 () VC	0.0036 (362)	"	9.0	"	"	"
" 20392 () VC	0.0039 (392)	"	"	16.0	"	"
" 20432 () VC	0.0043 (432)	"	9.5	"	"	"
" 20472 () VC	0.0047 (472)	23.0	7.0	15.5	20.0	"
" 20512 () VC	0.0051 (512)	"	7.5	16.0	"	"
" 20562 () VC	0.0056 (562)	"	"	"	"	"
" 20622 () VC	0.0062 (622)	"	8.0	16.5	"	"
" 20682 () VC	0.0068 (682)	"	8.5	"	"	"
" 20722 () VC	0.0072 (722)	"	"	17.0	"	"
" 20752 () VC	0.0075 (752)	"	9.5	18.0	"	"
" 20822 () VC	0.0082 (822)	"	10.0	"	"	"
" 20912 () VC	0.0091 (912)	"	"	19.0	"	"
" 20103 () VC	0.01 (103)	"	10.5	19.5	"	"
" 20113 () VC	0.011 (113)	"	11.0	20.0	"	"
" 20123 () VC	0.012 (123)	"	11.5	20.5	"	"
" 20133 () VC	0.013 (133)	"	12.0	21.0	"	"
" 20153 () VC	0.015 (153)	"	"	21.5	"	"



F: regulation of the root

ITEM CODE NUMBER STRUCTURE



CONSTRUCTION

The capacitor is of non-inductive construction, wound with metallized polypropylene film dielectric.
The capacitor is enclosed in non-combustible epoxy resin and has two leads.

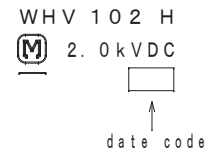
MARKING

Marking comprises capacitance, capacitance tolerance, rated voltage, manufacturer's trademark and type name "WHV" and manufacturer's date code.

PROPERTIES

- Capacitance : See table at 1kHz
- Capacitance tolerance : ±3% (H), ±5% (J)
- Rated voltage : 2000VDC (Derating of rated voltage by 1.25%/°C at more than 85°C)
- Withstand voltage (terminal-terminal) : DC Rated voltage × 150% for 60s
- (terminal-enclosure) : 1500VAC for 60s
- Insulation resistance : 30,000MΩ or more, at 500VDC, 20°C for 60s
- Dissipation factor : 0.1% or less at 1kHz, 0.2% or less at 10kHz
- Category temperature range : From -40°C to +105°C (including temperature rise on unit surface)

(example)



REVISIONS		
ISSUE	DESCRIPTION	DATE
△	Modification	Oct. 1 2003
△	Company name changed	Oct. 1 2004
△	Company name changed	Apr. 1 2005
△	Company name changed	Apr. 1 2006
△	Alteration: Category temperature range (-25°C--40°C)	Apr. 20 2007
△	Correction: category temperature range (-40°C+85°C--40°C+105°C) Addition: rated voltage (Derating of rated voltage by 1.25%/°C at more than 85°C) Company name changed	Apr. 1 2008
△	Company name changed	Apr. 1 2012
△	Company name changed	Apr. 1 2013
△	Company name changed	Apr. 1 2015
△	Company name changed	Apr. 1 2022

SPECIFICATIONS No.

DESIGN	M. MEKADA
CHECKED	T. KATO
APPROVAL	T. KATO
ESTABLISHMENT	Sep. 1. 1999
TYPE NAME	ECWH 20*** () VC
NAME	METALLIZED POLYPROPYLENE CAPACITOR
DRAWING NAME	PRODUCT DRAWING
DRAWING No.	CH-H-A59J (1/1)

Film Capacitor Business Unit
 Device Solutions Business Division
 Panasonic Industry Co., Ltd.