

July 31, 2018

Motor Business Unit,
Electromechanical Control Business Division,
Automotive & Industrial Systems Company,
Panasonic Corporation

AC Servo Driver, Motor and Option
Announcement concerning product indication
by the recast WEEE directive 2012/19/EU compliance

Thank you for your daily support and efforts to our business
As captioned, starting from August 15, 2018, the recast WEEE directive 2012/19/EU expanded the target products and the indication of a recycling symbol (crossed-out wheeled bin with a solid bar) became mandatory. Accordingly, a recycling symbol is added to the caution labels, etc.
We would appreciate your understanding and cooperation with this matter.

■ Affected models: The following AC servo drivers, motors and optional cables

- Servo drivers M△D□*****
 - Starting with M A6 Family : Model number with L as 4th character from left
 - A5 Family : Model number with H as 4th character from left
 - A5M Family : Model number with M as 2nd character,
H as 4th character from left
 - A4 Family : Model number with D as 4th character from left
 - E Series : Model number with E as 4th character from left

- Servo motors M△M□*****
 - Starting with M A6 Series : Model number with F as 4th character from left
 - A5/A4 Series : Model number with E, D as 4th character from left
 - E Series : Model number with U as 2nd character,
A as 4th character from left
 - 25 mm sq. Motor : Model number with M as 2nd character,
A as 4th character from left

- Optional Cables MFECA***** (Junction cable for encoder)
- MFMC***** (Junction cable for motor)
- MFMCB***** (Junction cable for brake)
- DV0P4360, DV0P0800 (Interface cable)
- DV0P1960 (Communication cable)
- Console DV0P4420

The model numbers "△" and "*" are alphanumeric characters indicating the specifications.

- Reason for the change: Because of the WEEE directive 2012/19/EU, an indication of the recycling symbol (crossed-out wheeled bin with a solid bar (below)) is required.



- Schedule of the change: from Aug 2018 production onwards.

- Supplement

This recycling symbol is not the instruction method for disposal.

For product disposal, please refer to the "Safety Guide" or "Operating Instructions (Safety Guide)" included with the product and comply with those instructions.

■ Description of the Change: We will change the caution label as follows.

【Servo drivers】

• MINAS A6 Family

Example: MINAS A6SE Series

* Same for other series and capacity.

Previous version	New version

Recycling symbol is added.
Laser-printed.

• MINAS A5 Family

Example: MINAS-A5 Series

* Same for other series and capacity.

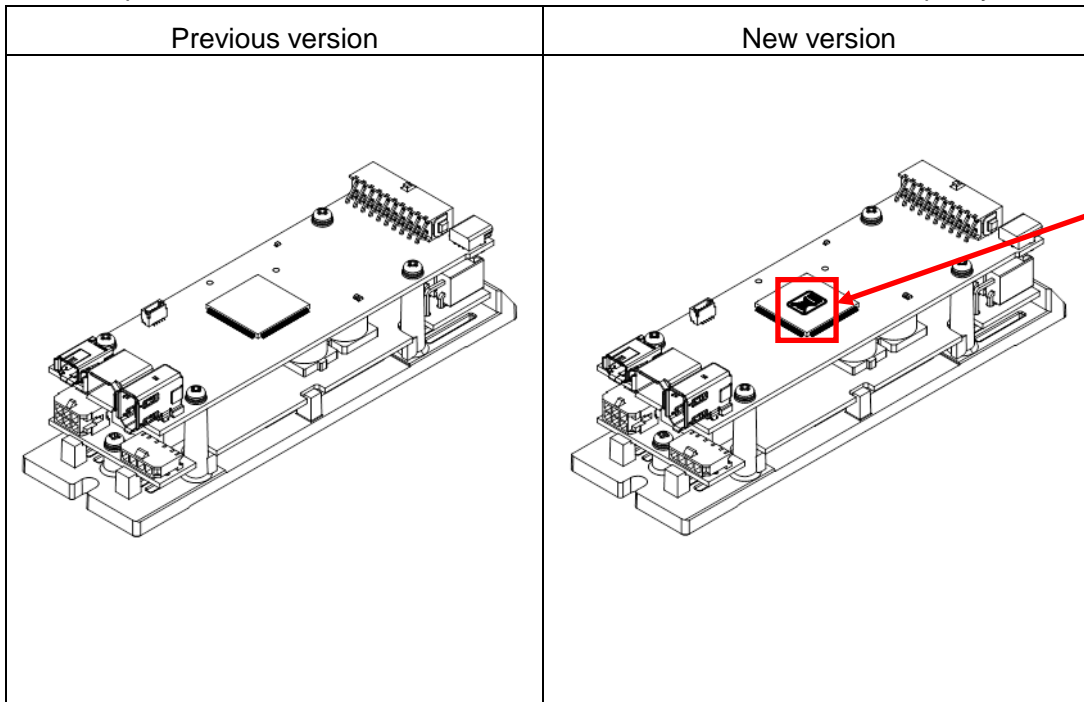
Previous version	New version

Recycling symbol label is added.

- MINAS A5M Family DC24 V / DC48 V type

Example: MINAS A5M Series

* Same for other series and capacity.

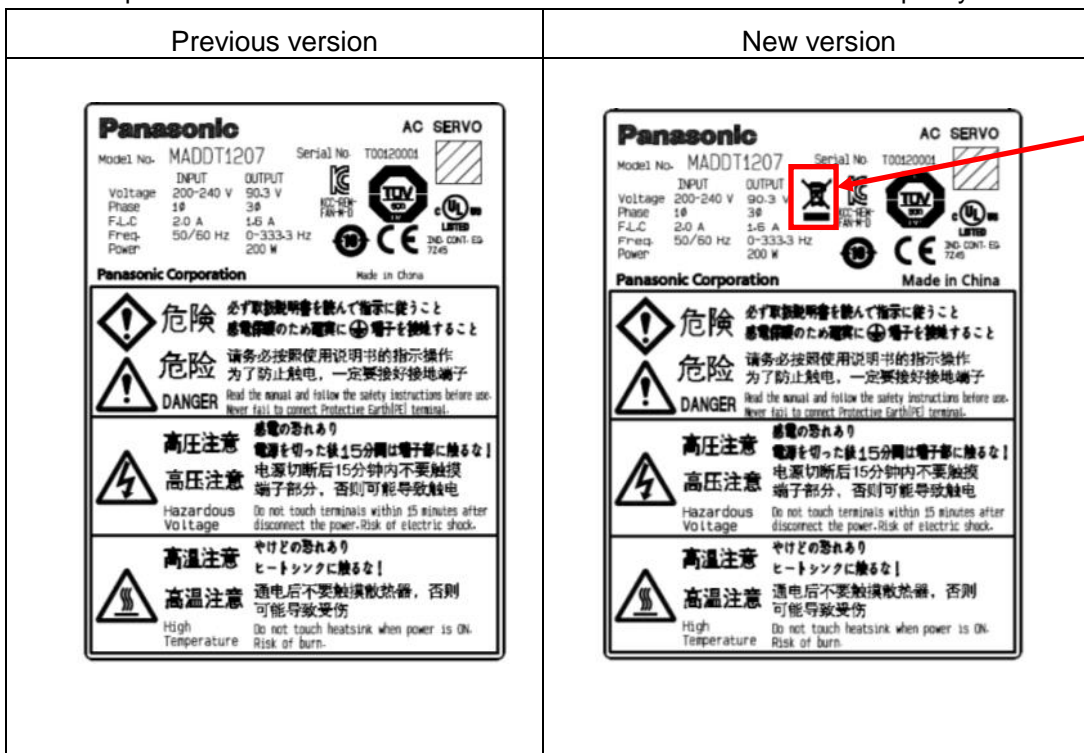


Recycling symbol label is added.

- MINAS-A4Family, E Series

Example: MINAS A4 Series

* Same for other series and capacity.

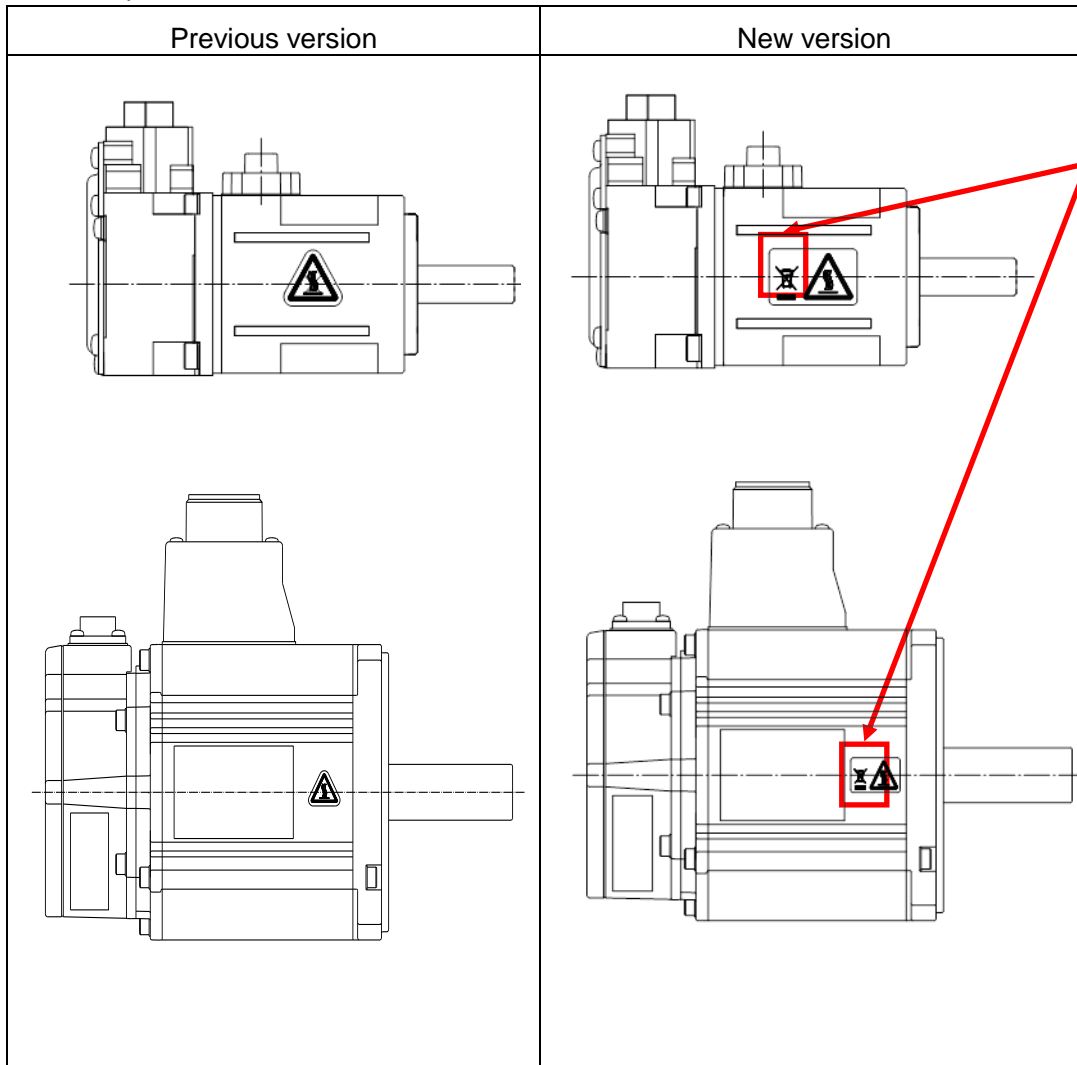


Recycling symbol label is added.

【Servo Motors】

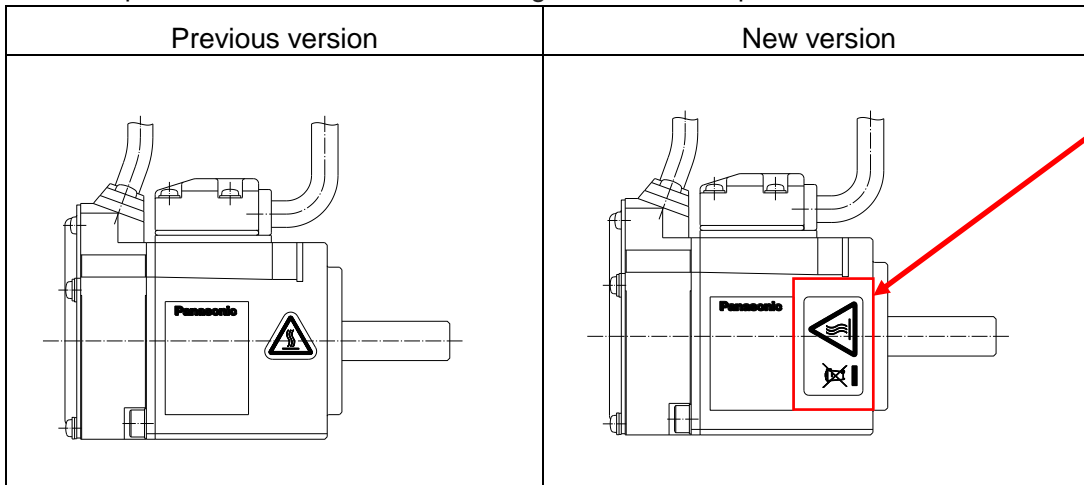
- MINAS A4, A5, A6 Family

Example: MINAS A5 Series



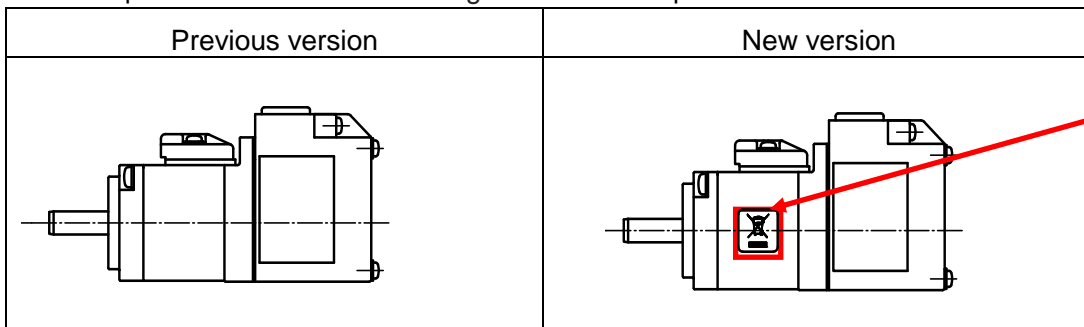
Recycling symbol is added to the high temperature caution mark.

- MINAS A6 MHMF Series Flange size 40 mm sq.
Example: MINAS A6 MHMF Series Flange size 40 mm sq.



Recycling symbol is added to the high temperature caution mark, and the direction of the high temperature caution label is changed.

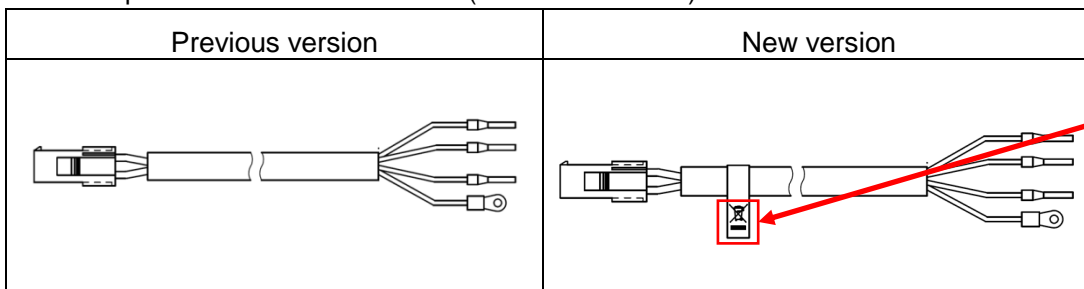
- MINAS A5M Series Flange size 25 mm sq.
Example: MINAS A5M Series Flange size 25 mm sq.



Recycling symbol is newly added.

【Optional cable】

Example: Junction cable for motor (MFMCA0030EED)



Recycling symbol is newly added.

* For a connector type optional cable of A5 and A6 series (flange size 80 mm or smaller), the recycling symbol is added to the existing ID label.

■ Other

- 1) No change is made to the product material.
Some optional cables will be added with a label.
- 2) There is no impact to the product quality or characteristics.