

July 31, 2018

Motor Business Unit,
Electromechanical Control Business Division,
Automotive & Industrial Systems Company,
Panasonic Corporation

Compact AC Geared Motor Shin-G Series and Speed Controller **Announcement concerning product indication** **by the recast WEEE directive 2012/19/EU compliance**

Thank you for your daily support and efforts to our business

As captioned, starting from August 15, 2018, the recast WEEE directive 2012/19/EU expanded the target products and the indication of a recycling symbol (crossed-out wheeled bin with a solid bar) became mandatory. Accordingly, a recycling symbol is added to the caution labels, etc.

We would appreciate your understanding and cooperation with this matter.

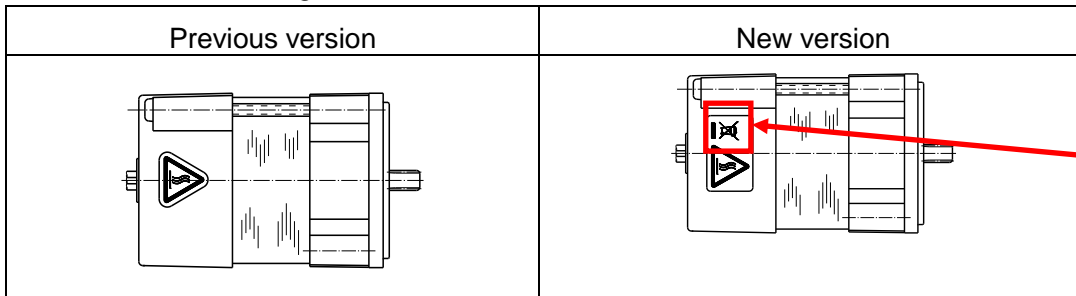
- Affected models: All motor models of Shin-G Series, Speed controller MGSD type
- Reason for the change: Because of the WEEE directive 2012/19/EU, an indication of the recycling symbol (crossed-out wheeled bin with a solid bar (below)) is required.



- Schedule of the change: from Aug 2018 production onwards.
- Supplement
This recycling symbol is not the instruction method for disposal.
For product disposal, please refer to the "Safety Precautions" pages in "Operating Instructions" included with the product and comply with those instructions.

- Description of the Change: We will change the caution label etc. as follows.
The model numbers "*" is alphanumeric character indicating the specifications.

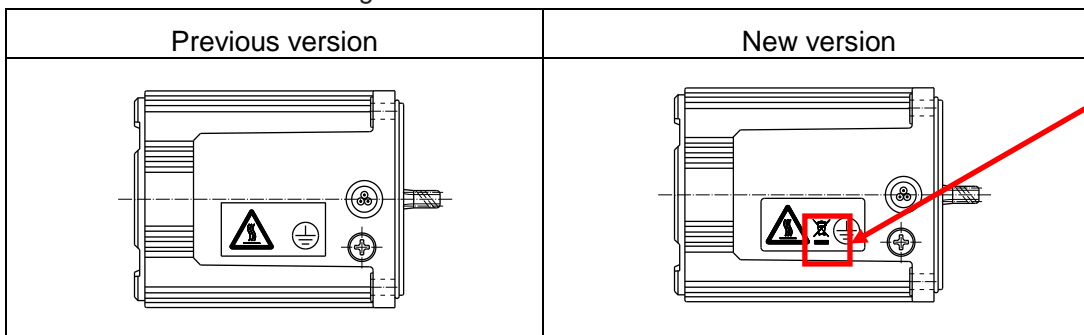
- (1) 42 mm sq. motor
Motors starting with "M4"



Recycling symbol is added to the high temperature caution mark.

- (2) Lead wire type (For Japan domestic) (Except for terminal box type)

M□****△
□: Flange sq. size (6, 7, 8, 9)
△: Motors ending with "L" or "Y"

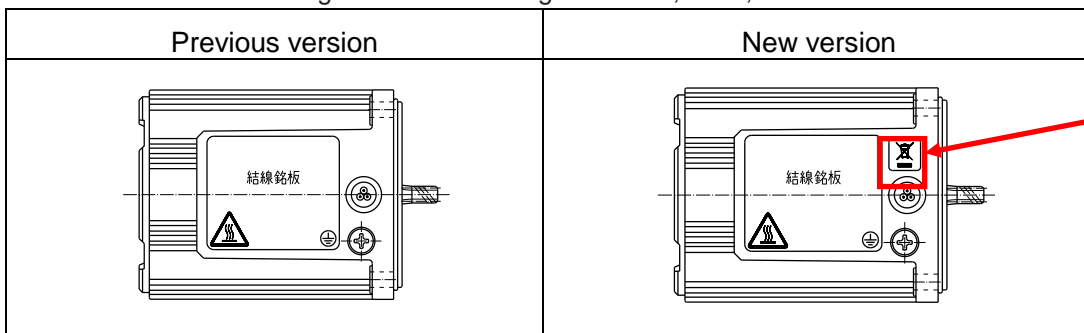


Recycling symbol is added to the high temperature caution mark etc.

(Drawing indicates 60 mm sq. motor, typical model shown)

- (3) Lead wire type (Approved by overseas standards) (Except for terminal box type)

M□****G(A)
□: Flange sq. size (6, 7, 8, 9)
Motors ending with "G" or ending with "GA", "GB", "GC"



Recycling symbol label is added.

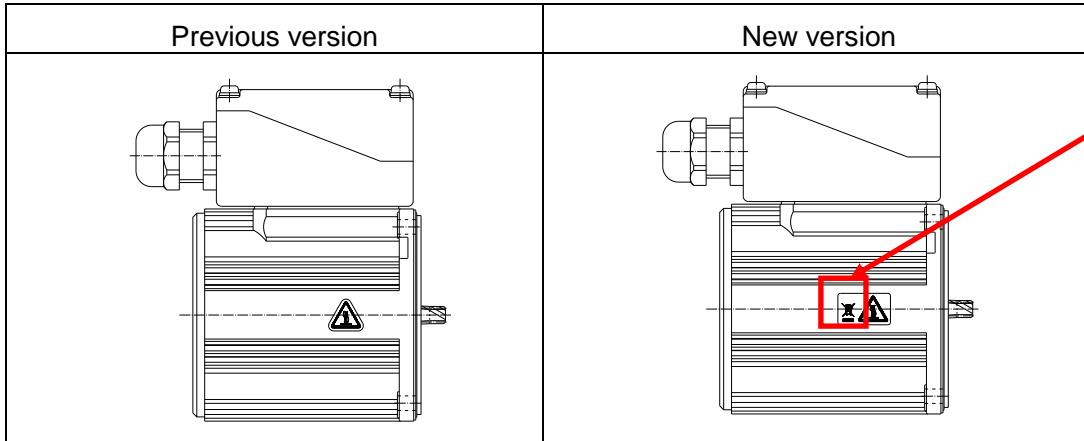
(Drawing indicates 60 mm sq. motor, typical model shown)

(4) Terminal box type (For Japan domestic)

M□****K*△ (K is included in the model name)

□: Flange sq. size (8, 9)

△: Motors ending with "L" or "Y"



Recycling symbol is added to the high temperature caution mark.

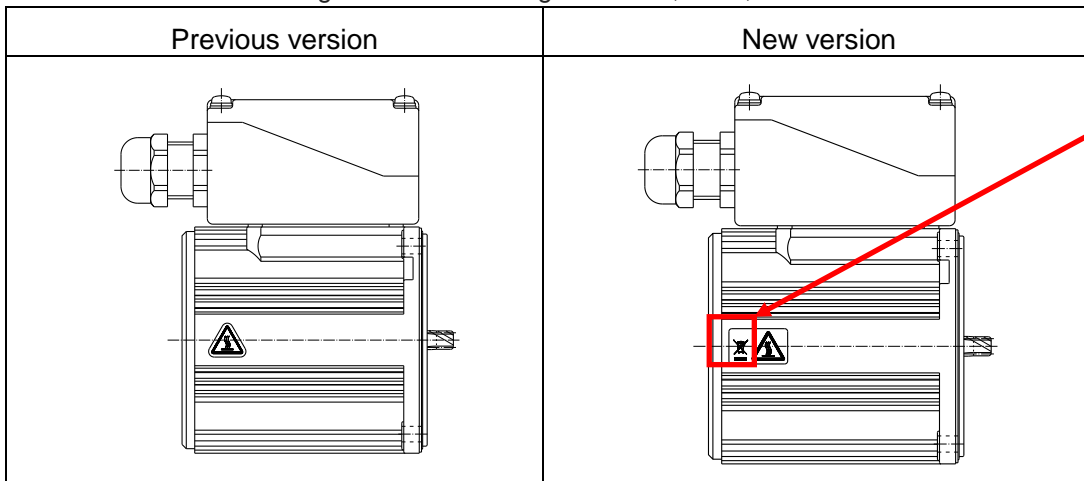
(Drawing indicates 80 mm sq. motor, typical model shown)

(5) Terminal box type (Approved by overseas standards)

M□****K*G(A) (K is included in the model name)

□: Flange sq. size (8, 9)

Motors ending with "G" or ending with "GA", "GB", "GC"



Recycling symbol is added to the high temperature caution mark.

(Drawing indicates 80 mm sq. motor, typical model shown)

(6) Speed controller MGSD type
MGSD**

Previous version	New version

Recycling symbol label is added.

(The image indicates MGSDDB2. The same goes for other models.)

■ Other

- 1) No change is made to the product material.
- 2) There is no impact to the product quality or characteristics.